

SPECIFICATIONS

CSA-507B

SPEC.No.EN351507B-B

1/2

Transmitter

1. General

This is the transmitter for strain gage applied transmitter.

2. Specifications

- Bridge power supply DC10 V \pm 0.3 V within 30 mA (DC5 V or DC2.5 V changeable)
- Applicable transducers Up to 1 piece of strain gage applied transducer(350) is connectable.
- Input range 0.5 mV/V to 3 mV/V
- Sensitivity adjustment range 1 000 times, 2 000 times or 3 000 times
(Changeover with the internal dip switch)
Adjust 1/1 to 1/4 against each setting.
- Output DC \pm 10 V(Not isolated)
- Output load resistance 2 k or more
- Zero adjustment range \pm 0.25 mV/V
Tare weight cancellation will be adjusted by installing resistance externally.
- Non-linearity 0.02 %F.S.
- Temperature efficient
Zero point \pm 1 μ V/ (Input conversion)
Sensitivity Within \pm 0.01 %F.S./
- CALIB 1 mV/V \pm 0.002 mV/V (0.5 mV/V \pm 0.001 mV/V or 0.25 mV/V \pm 0.000 5 mV/V changeable when the order is made.)
- Frequency response range 1 Hz, 10 Hz, 100 Hz or 1 kHz changeable by internal DIP switch

3. General Specifications

- Operating temperature range
Temperature - 10 to 50
Humidity 85 %RH or less(Non condensing)
- Power supply
Power supply voltage AC100 V(AC90 V to 115 V)
Power supply frequency 50/60 Hz
Power consumption Approx.5 VA(at AC100 V)
- Insulation resistance 100 M or more at DC500 V between AC power supply and case
- Withstand voltage AC500 V 1 min between AC power supply and case
- Outline dimension(W \times H \times D)
CSA-507B 44 mm \times 90 mm \times 110 mm(Excludes protrusion)
CSA-507B-99 44 mm \times 90 mm \times 230 mm(Excludes protrusion)
- Weight
CSA-507B Approx.650 g
CSA-507B-99 Approx.1 150 g

4. Standard specifications at the shipment

- Bridge power supply DC10 V
- Sensitivity 1 000 times Output DC10 V at the input of 1 mV/V
(DC4 mA to 20 mA with the current output)
- Frequency response range 10 kHz
- CALIB 1 mV/V
- Power supply
Power supply voltage AC100 V(AC90 V to 115 V)
Power supply frequency 50/60 Hz

SPECIFICATIONS

5. Accessories

- Instruction manual 1 piece
- Midget fuse(0.5 A) 1 piece
- Minus driver 1 piece

6. Options

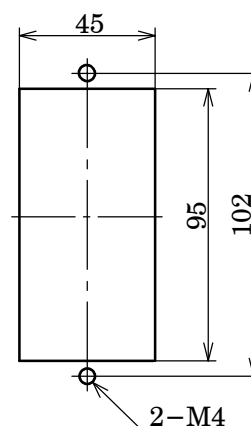
6-1. Current output

- P/No.CSA507B-P07
 - Output DC4 mA to 20 mA (Not isolated)
 - Load resistance 500 or less
 - Non-linearity 0.05 %F.S.

6-2. Auto Zero

- P/No.CSA507B-P99
 - Operating voltage of Auto Zero Within ± 10 V
 - Operating time of Auto Zero Within Approx.1 s
 - Accuracy of Auto Zero Within ± 5 mV
 - Temperature efficient
 - Zero point Within 0.005 %F.S./
 - Sensitivity Within 0.005 %F.S./
 - Battery backup time Approx. 5 years at the room temperature (Lithium battery is used.)

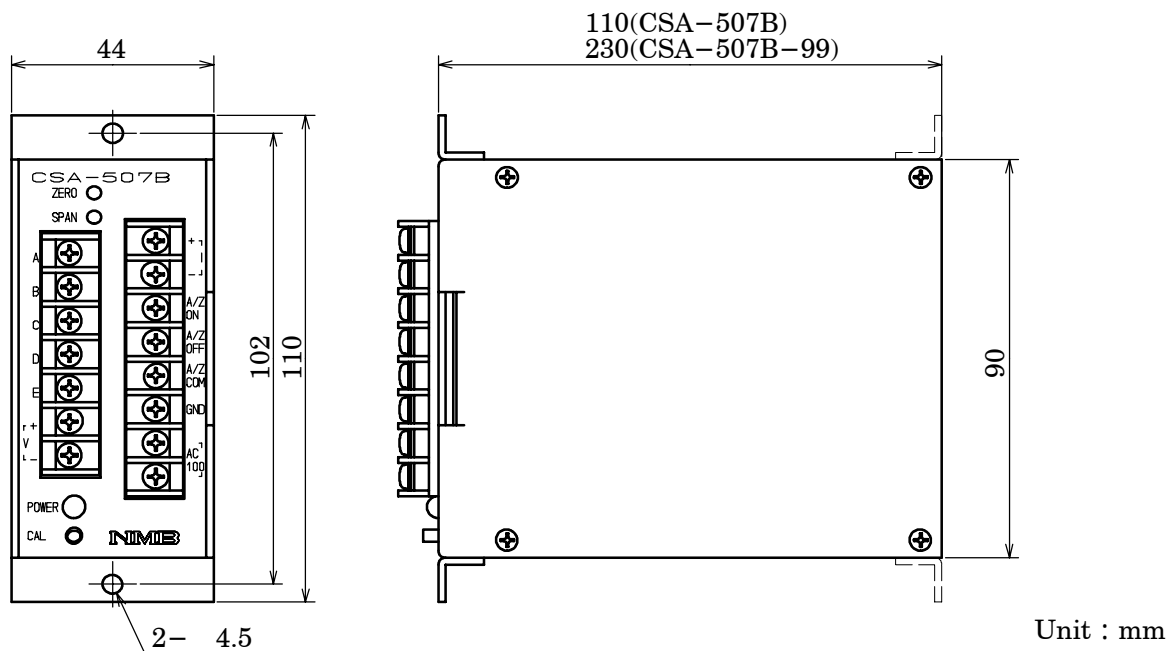
Pane cut size



6-3. Power supply voltage

- P/No.CSA507B-P63
 - Power supply voltage AC200 V(Ac180 V to 231 V)

7. Outline dimensions



Unit : mm

Specifications and outline dimensions and so on which have printed may subject to change for the purpose of improvement.