

# SPECIFICATIONS

### TRANSMITTER

#### 1. Specifications

- Numbers of channel 4 Ch
- Bridge power supply DC10 V(+0.9 V, -0.2 V)
- Applicable transducers Up to 4 pieces of strain gage applied transducers(350 Ω) can be connected to the each channel.
- Sensitivity 10 V output at the input of 1 mV/V
- Sensitivity adjustable range 1 000 times Adjustable from 1/1 times to 0.9 times
- Output voltage ±10 V, Load resistance 2 kΩ or more
- Zero point adjustment range
  - Tare compensation Adjustable by internal fixed resistance
  - Zero adjustment Adjustable ±0.1 mV/V by trimmer
- Non-linearity 0.1 %F.S.
- Effect due to temperature variation
  - Zero point ±2 μV/°C (Input conversion)
  - Sensitivity Within ±0.05 %F.S./ °C
- CHECK 1 point Approx.80 % of rated output voltage
- Frequency response range 10 Hz (±3 dB)

#### 2. Standard specifications

- Operating temperature/humidity range
  - Temperature 0 °C to 50 °C
  - Humidity 80 %R.H. or less (Non condensing.)
- Power supply
  - Power supply voltage DC ±15 V ±0.75 V 550 mA  
(When all channel of four transducers are calculated.)
- Outline dimensions (W×H×D) 42 mm × 176 mm × 95 mm
- Weight Approx. 0.3 kg

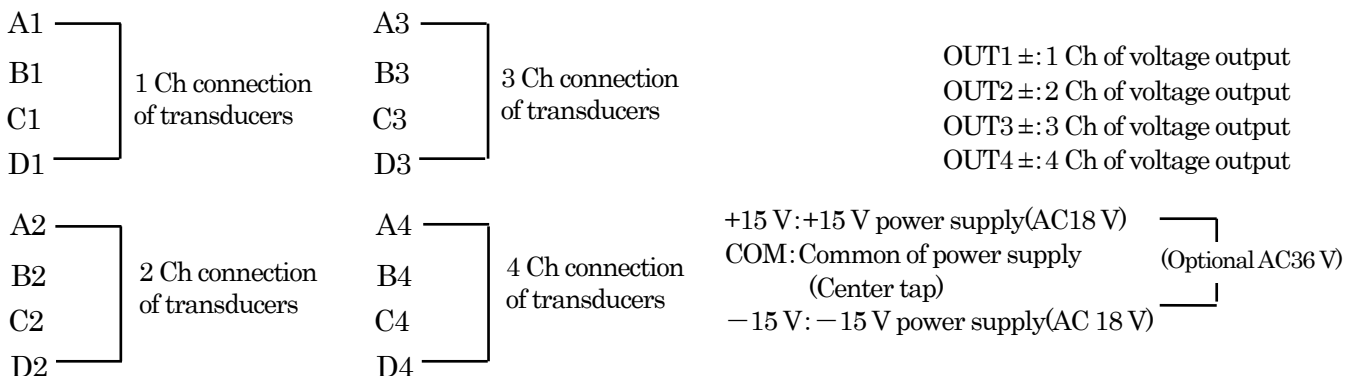
#### 3. Accessories

- Minus driver 1 piece

#### 4. Option

- Power supply voltage AC36 V with center tap

#### 5. Explanation of the terminals



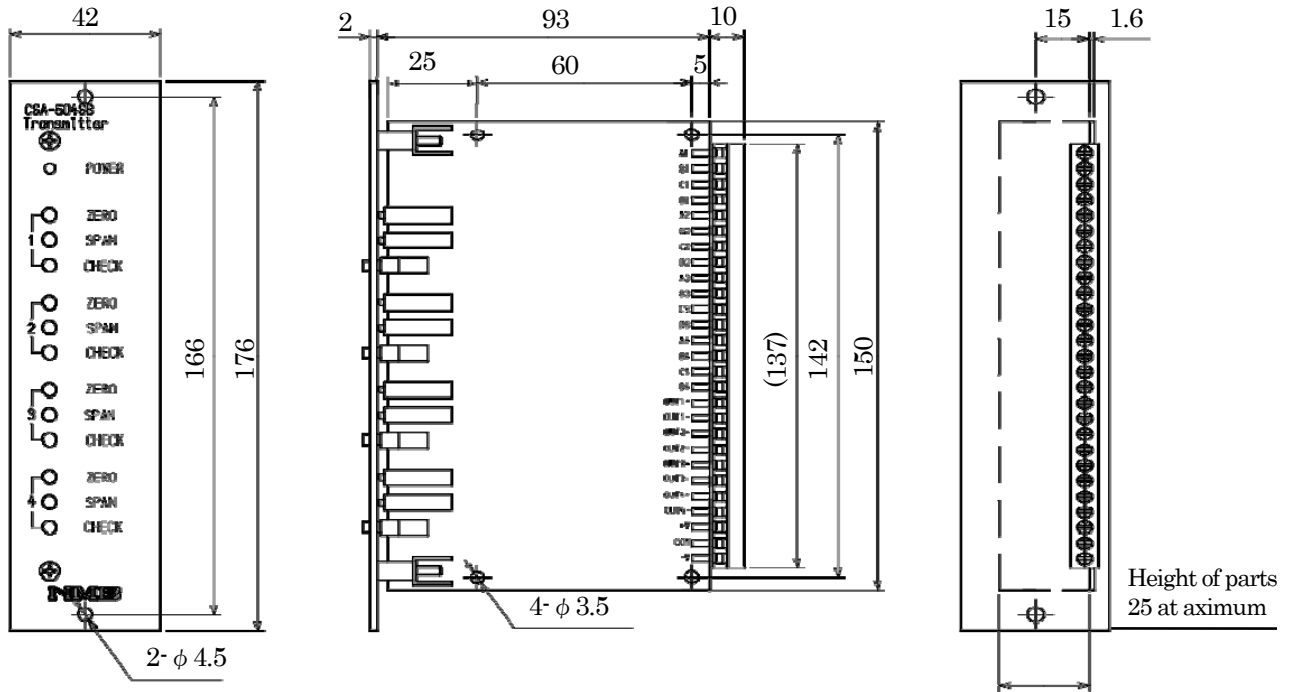
## SPECIFICATIONS

CSA-504SB

Spec. No. EN 351504SB-C

2/2

### 6. Outline dimensions



Unit : mm

Specifications and outline dimensions and so on which have printed may subject to change for the purpose of improvement without notice.