

Specifications

Flange type Torque Transducer by Optical Transformer method

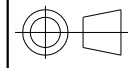
★ Composition apparatus

- ① Torque Transducer Model : TMHSA-□ NM
- ② Exclusive signal cable Model : CAC-176C- *M (selectable from 10m,20m,30m) 【Option】

★ Spec. of torque transducer

Model(Capacity indicated)	100NM	200NM	300NM	500NM	1KNM	2KNM	3KNM	△ _B 5KNM	△ _C 10KNM		
Performance											
Rated capacity(R.C.)	±100Nm	±200Nm	±300Nm	±500Nm	±1kNm	±2kNm	±3kNm	±5kNm	±10kNm		
Safe overload	150 %R.C.										
Ultimate overload	300 %R.C.										
Rated output(R.O.)	voltage : ±10 V frequency : 10±5 kHz										
Accuracy of detected value (include Nonlinearity, Hysteresis, Repeatability)	digital output : ±0.02 %R.O. voltage output : ±0.03 %R.O.										
Temperature											
Safe temperature range	-10 °C to 70 °C										
Compensated temperature range	0 °C to 60 °C										
Temperature effect on zero balance	0.02 %R.O./10°C										
Temperature effect on output	0.03 %LOAD/10°C										
Characteristics on rotation											
Maximum number of rotation[rpm]	25,000		22,000			16,000		14,000		12,000	
Noise during rotation	0.5 %R.O.p-p(WB=1kHz)										
Others											
IP class	IP54										
Material	Rotor : Alloy steel										
	Stator : Aluminum alloy										
Fatigue life	10 ⁷ times with rated load										
Mass[kg]	Rotor part	1.0		1.2		1.6		3.5		6.0	10.2
	Stator part	1.5									

・Frequency output is raw output that is not calibrated.
On the customer side, it is necessary to convert to the torque value [N·m]
by using the value stated in the certificate.

D	2019/11/27	FN19-0553		ミネベアミツミ株式会社 MinebeaMitsumi Inc.		単位 UNIT	材質 MATERIAL	作成日 DATE 2019/11/27
C	2019.02.18	FN19-0090		センシングデバイス事業部 Sensing Device Business Unit		尺度 SCALE	表面粗さ SURF.ROUGH.	品名 DESCRIPTION
B	2018.07.11	KN18-0331				Free		OUTLINE
A	2017.07.08	KN17-0336				DIMENSION L	熱処理 HEAT TREAT.	型式 MODEL NAME
-	2017.06.02	NEW				TOL	表面処理 FINISH	葉番 SHEET
符号 MARK	日付 DATE	変更事項 REASON	ECN NO.			<L ≤ 6		TMHSA
						6 < L ≤ 30		1 / 9
						30 < L ≤ 120		改訂 REV.
						120 < L ≤ 400		D
						400 < L ≤ 1000		
						角度 DEG		
								図番 DRAWING NO.
								KT54341-2

★ Machine characteristics(Rotor part)


Model(Capacity indicated)	100NM	200NM	300NM	500NM	1KNM	2KNM	3KNM	5KNM	10KNM
Response Frequency [kHz]	1								
Inertia moment [kg·cm ²]	13.79	13.80	13.82	19.77	26.86	107.6	107.8	260.3	668.4
Torsion rigidity [kN·m/rad]	325.0	371.4	472.7	660.7	909.8	1515	1881	2647	4043
Torsion peculiar pitch [kHz]	4.757	5.161	5.822	5.701	5.899	3.801	4.258	3.233	2.489
Bending peculiar pitch (Radial direction) [kHz]	2.821	2.911	3.073	3.135	3.492	1.763	1.995	1.857	1.368
Bending peculiar pitch (Thrust direction) [kHz]	3.458	3.528	3.656	3.715	4.519	2.380	2.590	2.356	1.670
Twist angle at R.C. [°]	0.018	0.031	0.036	0.043	0.063	0.076	0.091	0.108	0.142
Accuracy safe bending load [N]	75	150	225	375	750	800	1000	1650	2750
Accuracy safe thrust load [N]	65	130	195	325	650	3750	12000	20000	22000

• Accuracy safety bending/thrust load is load value(actual measurement) which generate output error 0.05%R.O.

• Accuracy safety bending load is the result of loading at position 200mm from flange edge.

• All are the guarantee value over static load.

★ Accessories

- 1) Certificate
- 2) Instruction manual
- 3) Calibration software (Type:TMHSAD-01) 
- 2) USB cable 

ミネベアミツミ株式会社 MinebeoMitsumi Inc. センシングデバイス事業部 Sensing Device Business Unit	作成日 DATE	2019/11/27
	品名 DESCRIPTION	OUTLINE
	型式 MODEL NAME	TMHSA
図番 DRAWING NO.	KT54341-2	葉番 SHEET
		2 / 9
		改訂 REV.
		D

★ Supply power specification

Rated supply voltage [V]	22~26
Consumption current [A]	1 or less
Rated power consumption [W]	24 or less

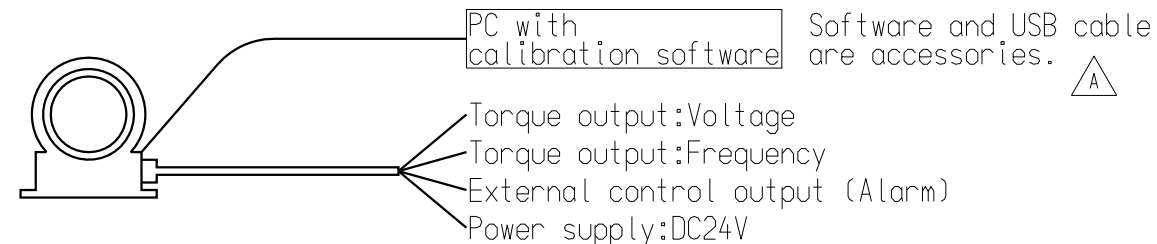
★ Output signal specification

Resistive load [kΩ]	2 or more
Output capacity load [μF]	0.1 or less

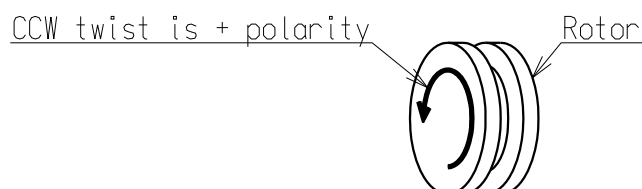
★ Output voltage correction function specification

By connecting the PC and stator with special software, the following corrections are possible.

Zero adjustment [%R.O.]	±2
Symmetry correction[%R.O.]	±10
Moving average [times]	select from 1,2,4,8,16,32,64,128,256,512 initial:1
Low pass filter [Hz]	select from 1,10,30,50,100,300,500,1k initial:1k Above is -3dB±1dB
Invert the output polarity with respect to the twist direction	



【Torsion direction and output polarity under standard condition】

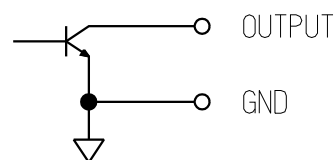


★ LED for status indication specification

Nonal operation state	Lit Green
Light quantity lower state	Blinking Green
Alarm condition	Lit Red

★ External control output signal

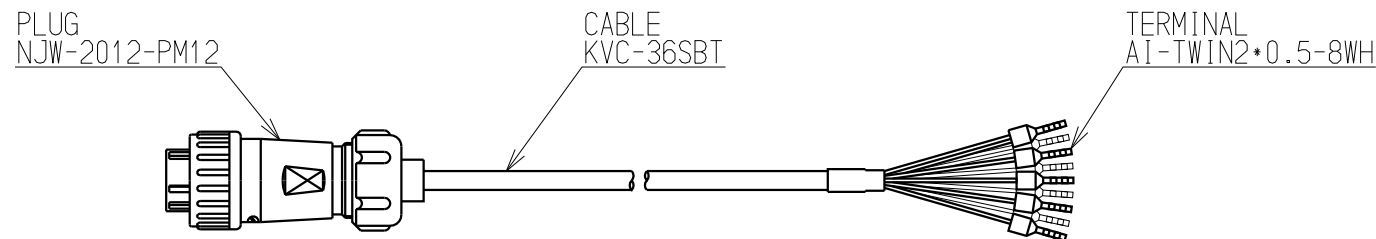
Alarm: Open collector ON when the light quantity decreases



Open collector rating Vce=DC80Vmax, Ic=DC800mAmax
*The internal circuit is insulated by a photocoupler

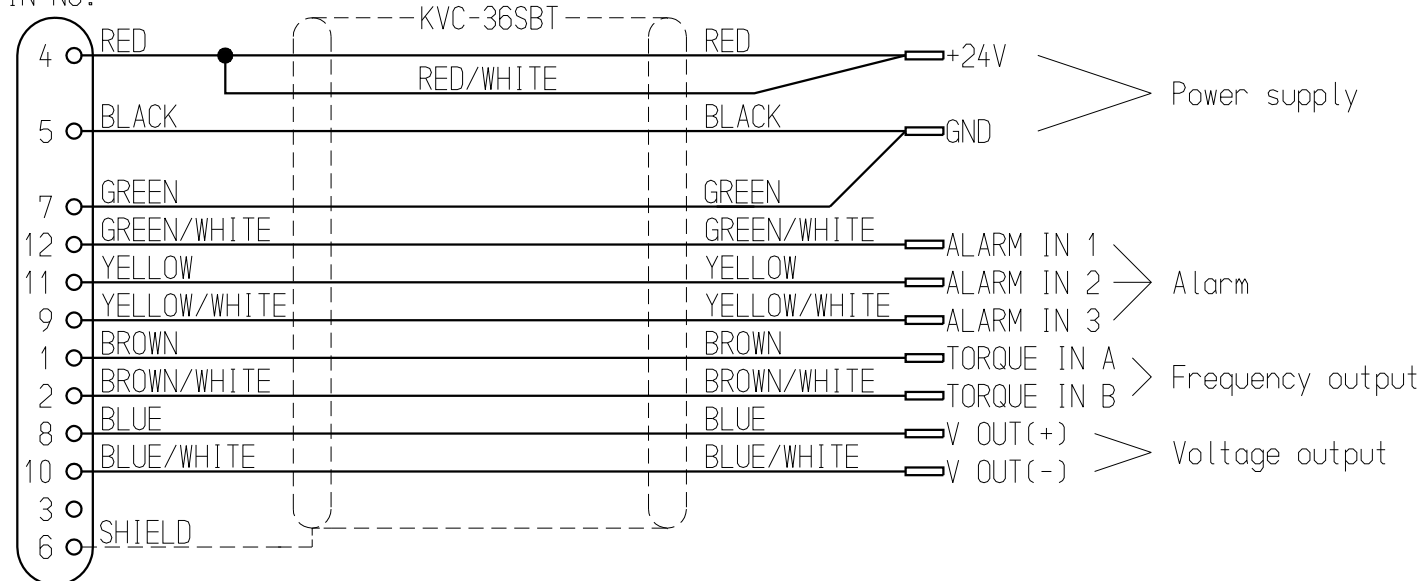
【Information on optional items】

★ Exclusive signal cable(CAC-176C-*M) specification



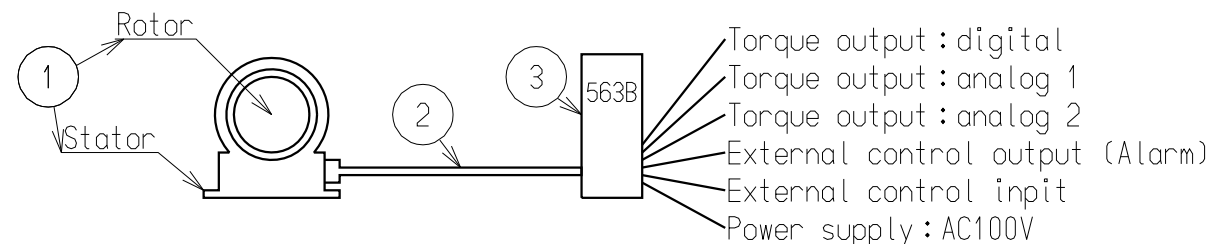
【Stator side】
PIN No.

【Terminal side】



★ Configuration when adding a transmitter(OPT-563B)

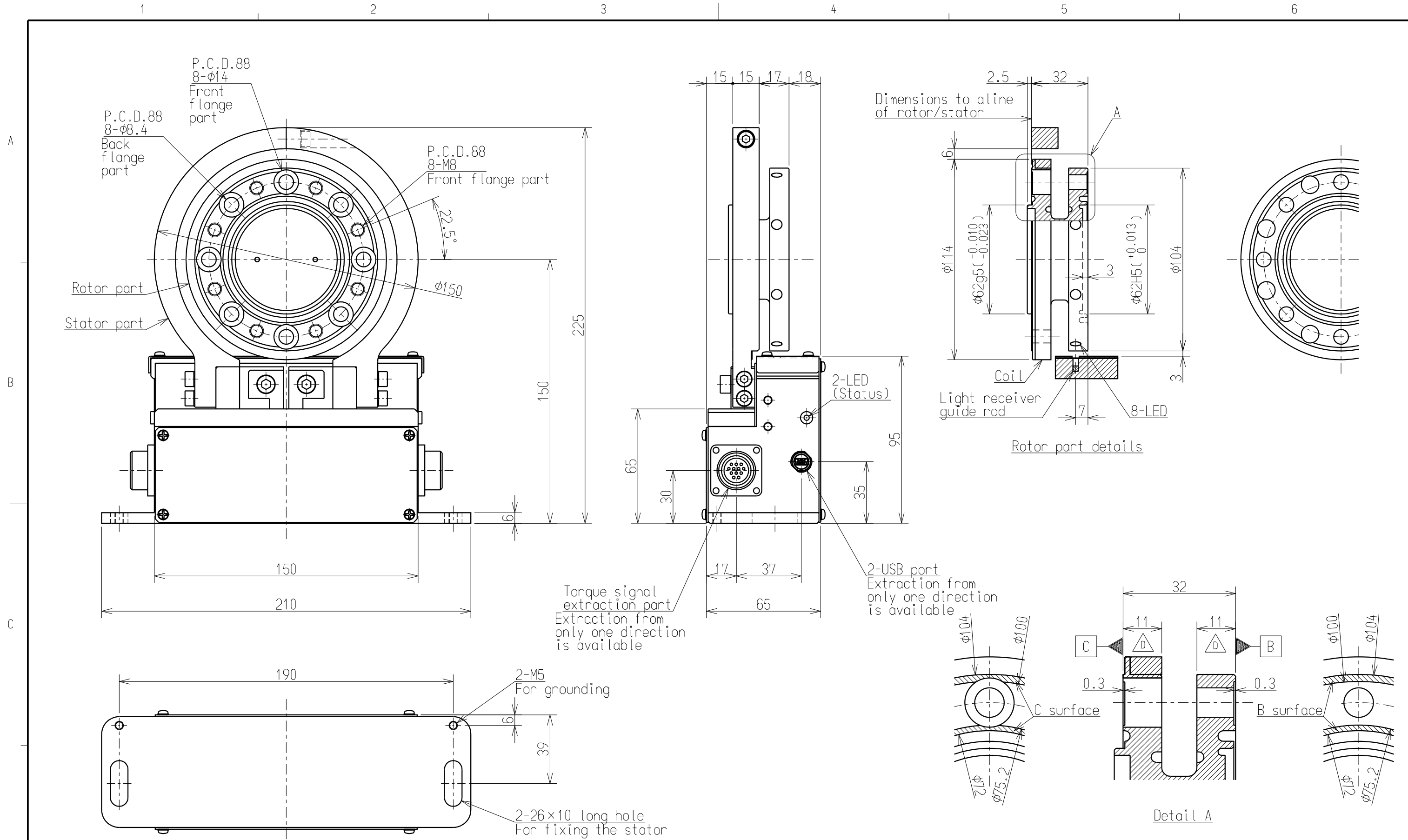
- ① Torque Transducer Model: TMHSA-□NM
- ② Exclusive signal cable Model: CAC-176B-*M(selectable from 10m,20m,30m) 【Option】
- ③ Exclusive transmitter Model: OPT-563B 【Option】



- For torque output, two are selected from voltage/frequency/current and one is selected from various digital outputs. Accuracy at digital output is 0.02%R.O.
- With torque value indication
- AC100V power supply required.
- By the button operation of the transmitter, calibration/auto zero/change of the average possible.
- The calibration data is in the transmitter and 4 data can be registered.
- Rotation speed display and output are possible by using rotation detection mechanism.

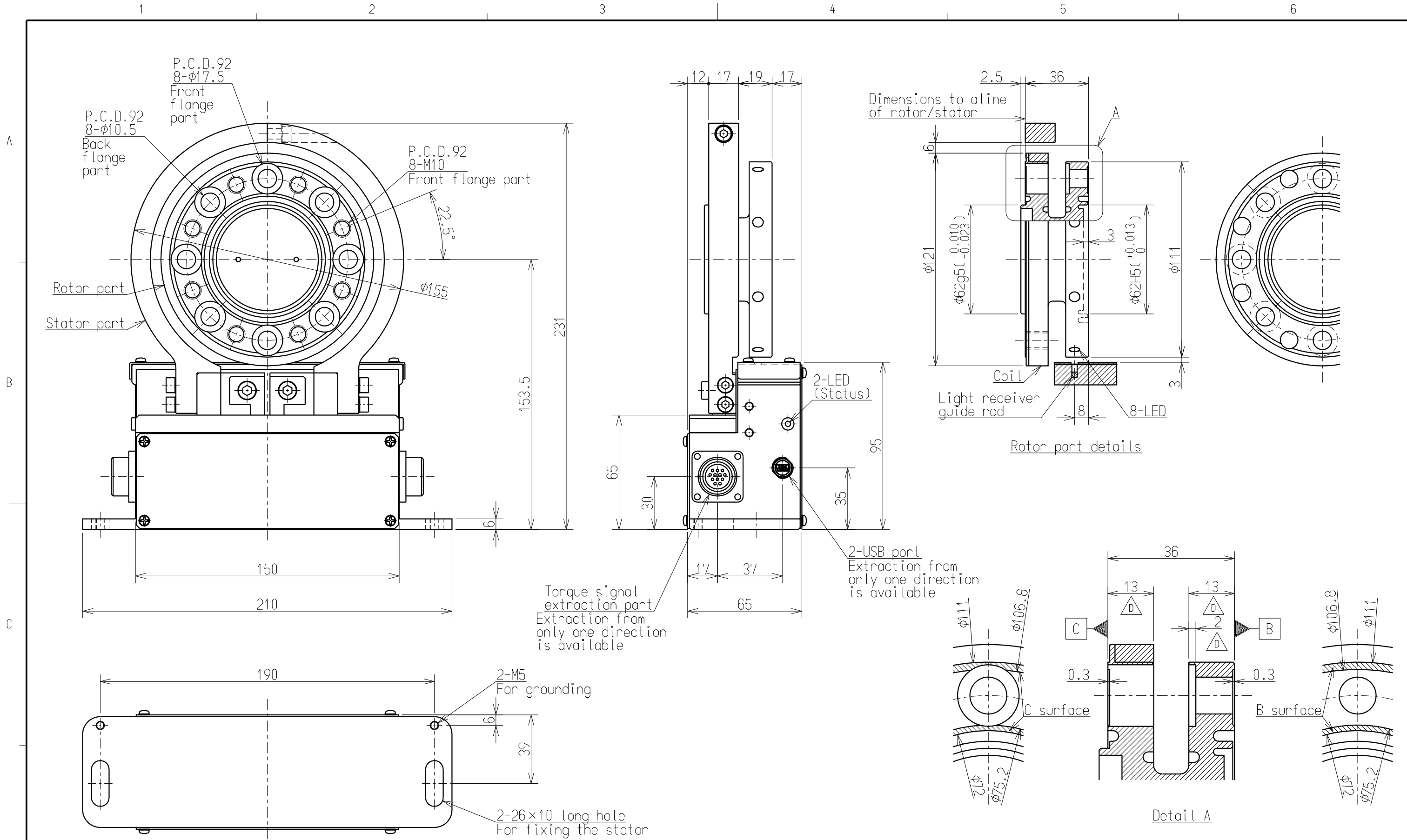
*For details, refer to the specification of OPT-563B.

ミネベアミツミ株式会社 MinebeoMitsumi Inc. センシングデバイス事業部 Sensing Device Business Unit	作成日 DATE	2019/11/27
	品名 DESCRIPTION	OUTLINE
	型式 MODEL NAME	TMHSA
	図番 DRAWING NO.	KT54341-2
	葉番 SHEET	3 / 9
	改訂 REV.	D



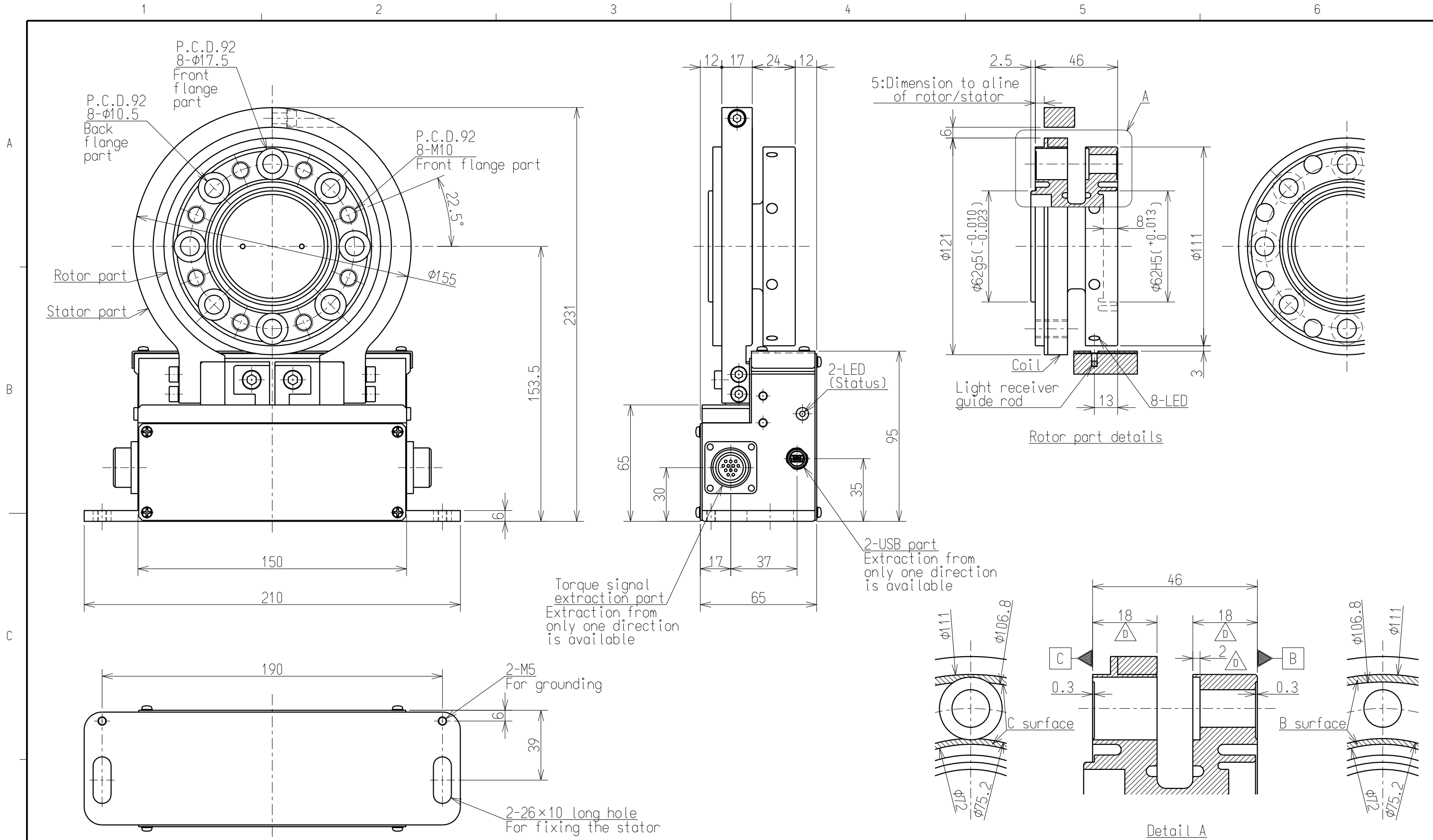
TMHSA-100NM, 200NM, 300NM

ミネベアミツミ株式会社 MinebeoMitsumi Inc. センシングデバイス事業部 Sensing Device Business Unit	作成日 DATE	2019/11/27
	品名 DESCRIPTION	OUTLINE
	型式 MODEL NAME	TMHSA
	図番 DRAWING NO.	KT54341-2
	葉番 SHEET	4 / 9
	改訂 REV.	D



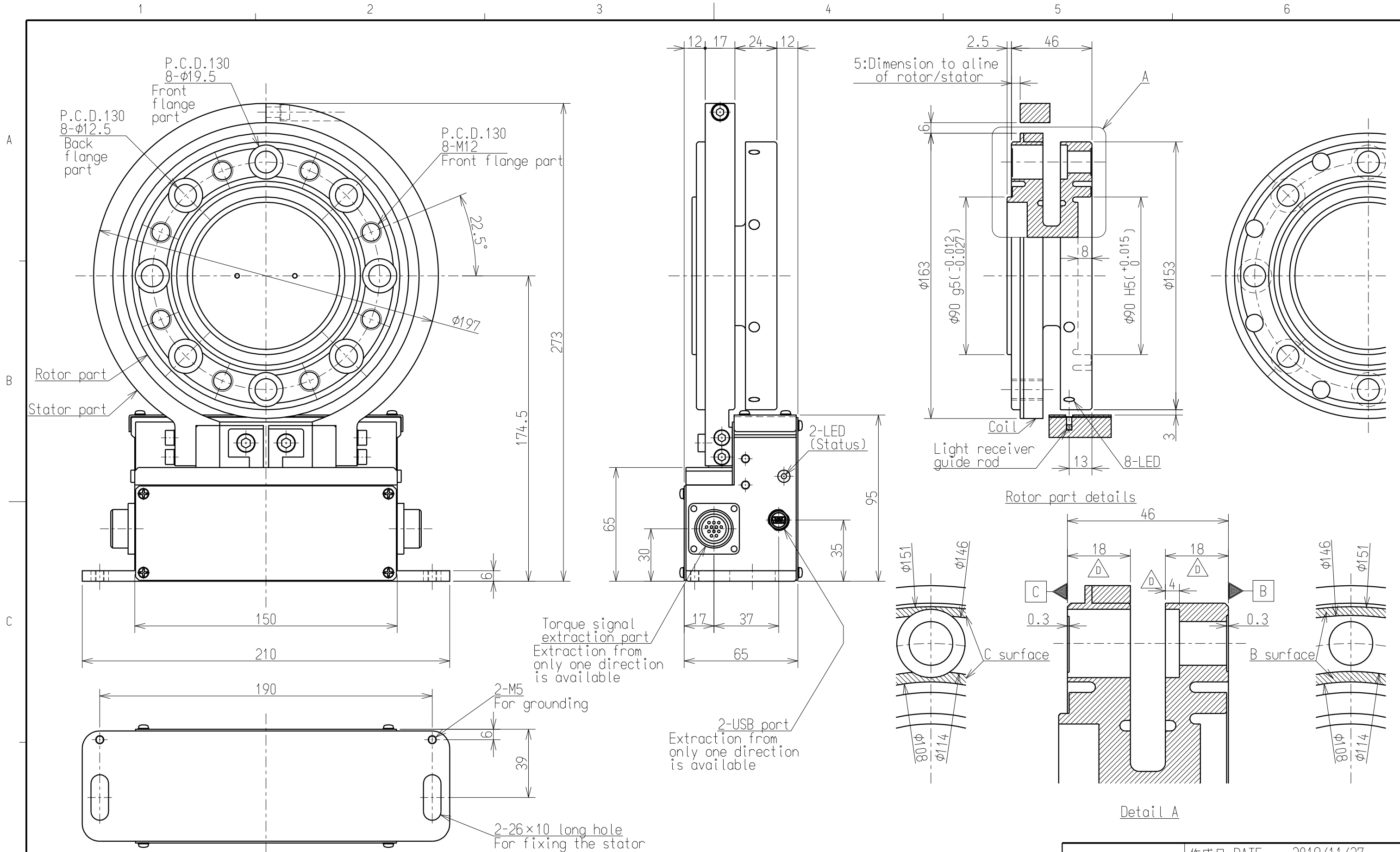
TMHSA-500NM

ミネベアミツミ株式会社 MinebeoMitsumi Inc. センシングデバイス事業部 Sensing Device Business Unit	作成日 DATE	2019/11/27
	品名 DESCRIPTION	OUTLINE
	型式 MODEL NAME	TMHSA
	図番 DRAWING NO.	KT54341-2
	葉番 SHEET	5 / 9
	改訂 REV.	D



TMHSA-1KNM

ミネベアミツミ株式会社 MinebeoMitsumi Inc. センシングデバイス事業部 Sensing Device Business Unit	作成日 DATE	2019/11/27
	品名 DESCRIPTION	OUTLINE
	型式 MODEL NAME	TMHSA
	図番 DRAWING NO.	KT54341-2
	葉番 SHEET	6 / 9
	改訂 REV.	D



TMHSA-2KNM, 3KNM

ミネベアミツミ株式会社 MinebeoMitsumi Inc. センシングデバイス事業部 Sensing Device Business Unit	作成日 DATE	2019/11/27
	品名 DESCRIPTION	OUTLINE
	型式 MODEL NAME	TMHSA
	図番 DRAWING NO.	KT54341-2
	葉番 SHEET	7 / 9
	改訂 REV.	D

1

2

3

4

5

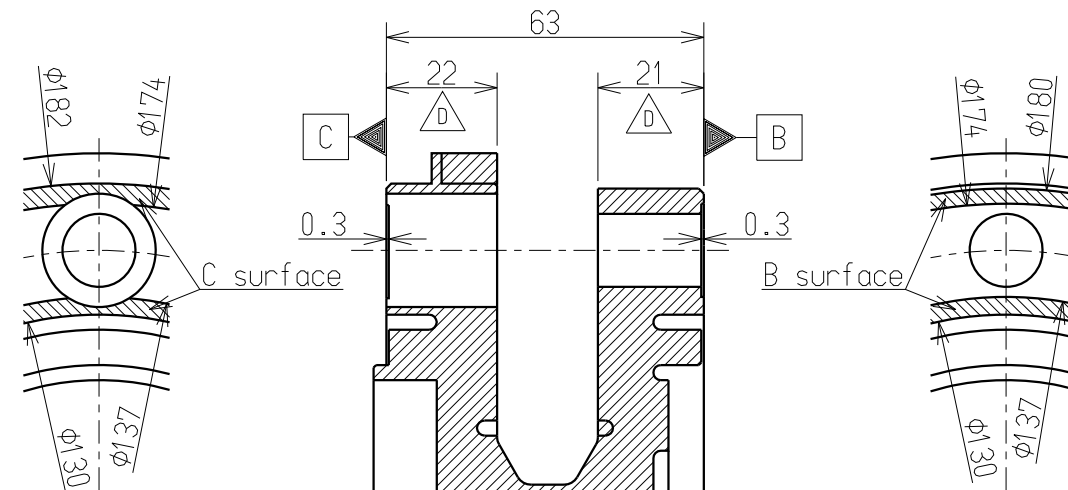
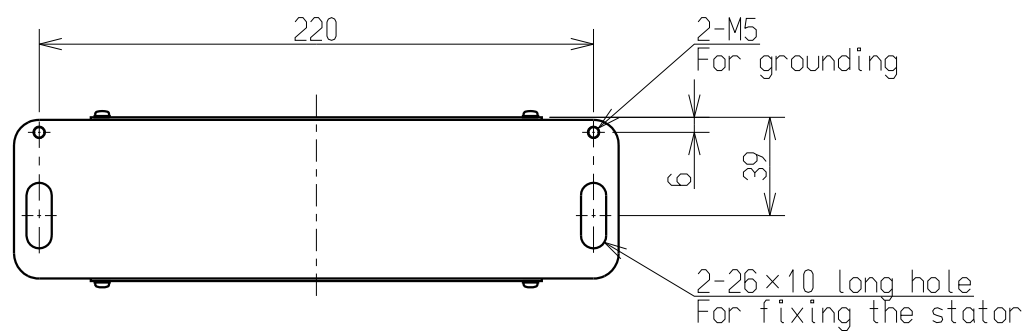
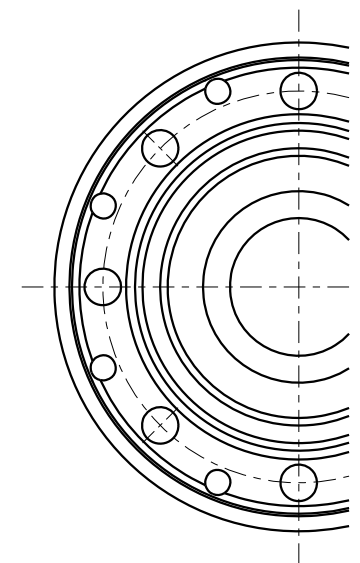
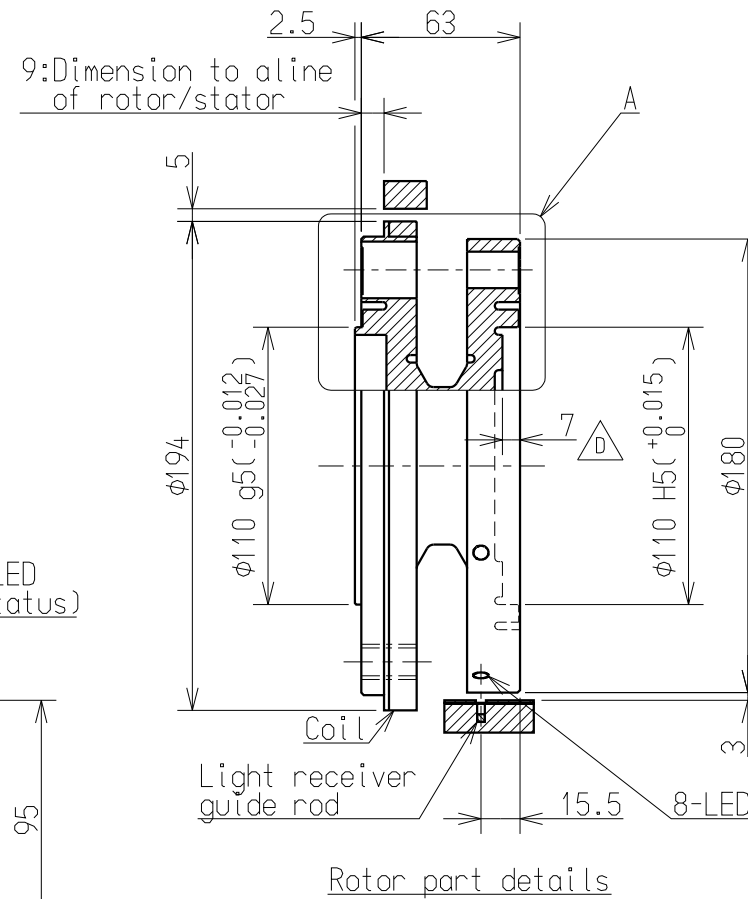
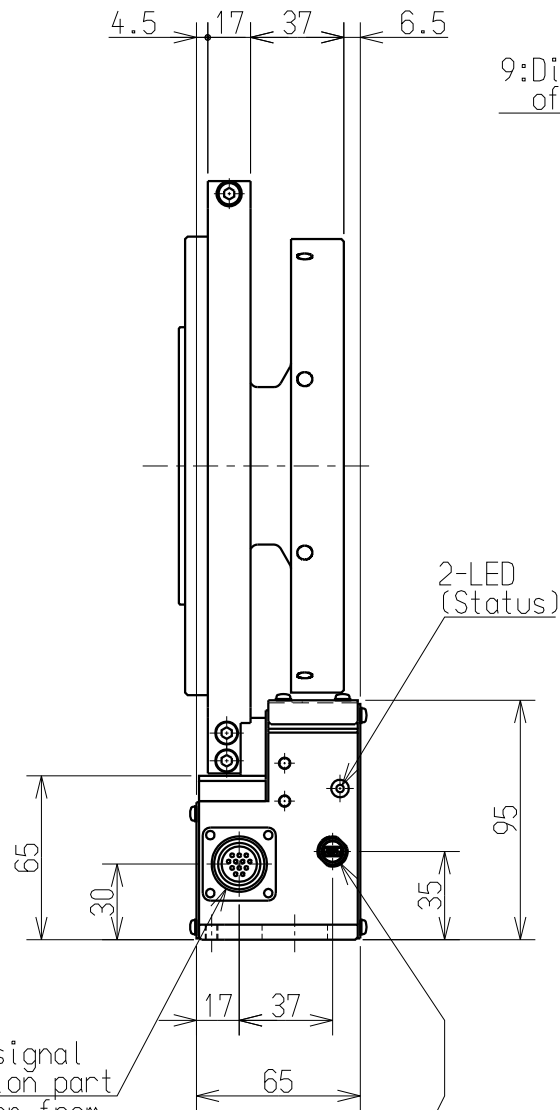
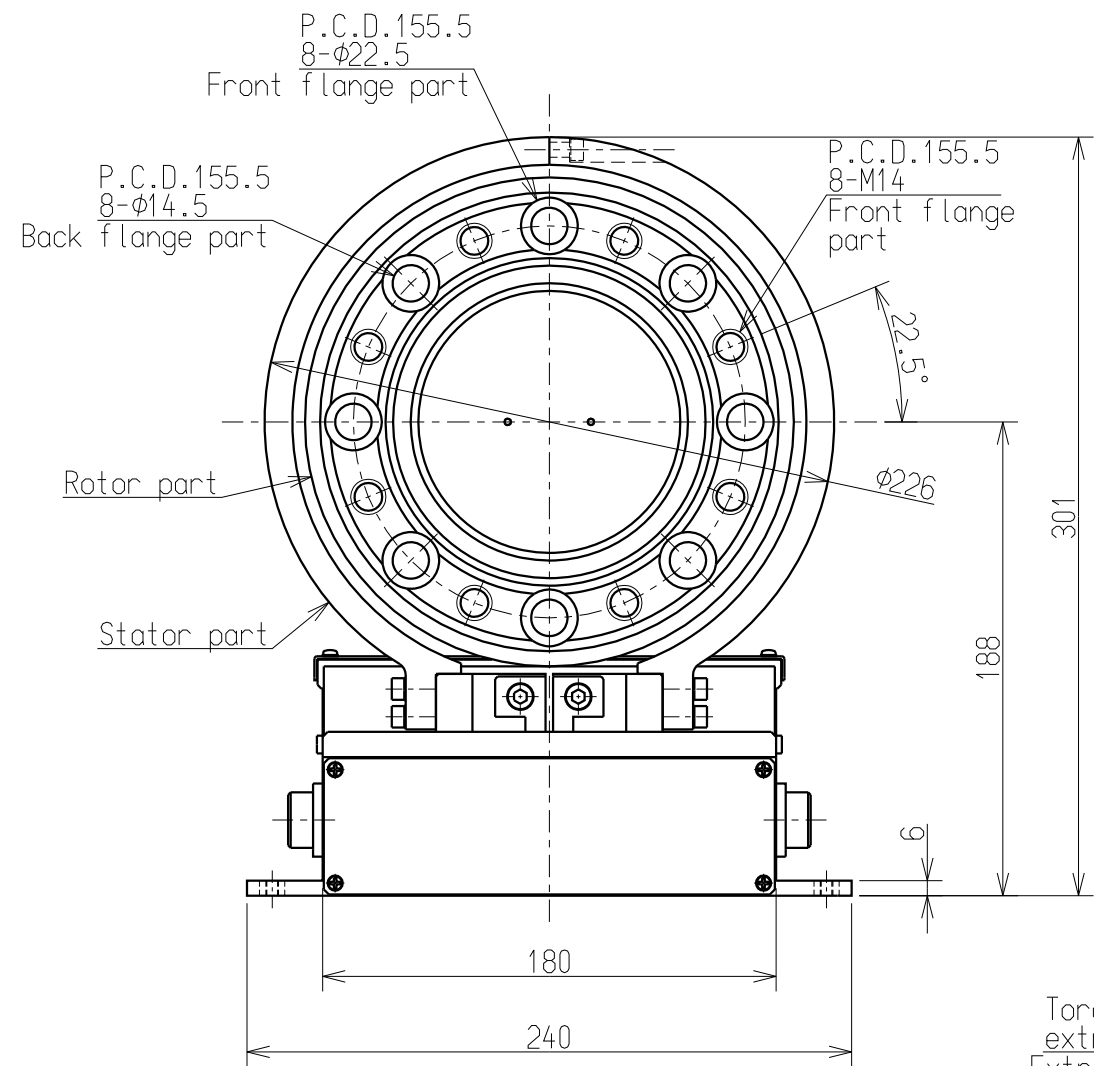
6

A

B

C

D



△ TMHSA-5KNM

ミネベアミツミ株式会社 MinebeoMitsumi Inc. センシングデバイス事業部 Sensing Device Business Unit	作成日 DATE	2019/11/27
	品名 DESCRIPTION	OUTLINE
	型式 MODEL NAME	TMHSA
	図番 DRAWING NO.	KT54341-2
	葉番 SHEET	8 / 9
	改訂 REV.	D

1

2

3

4

5

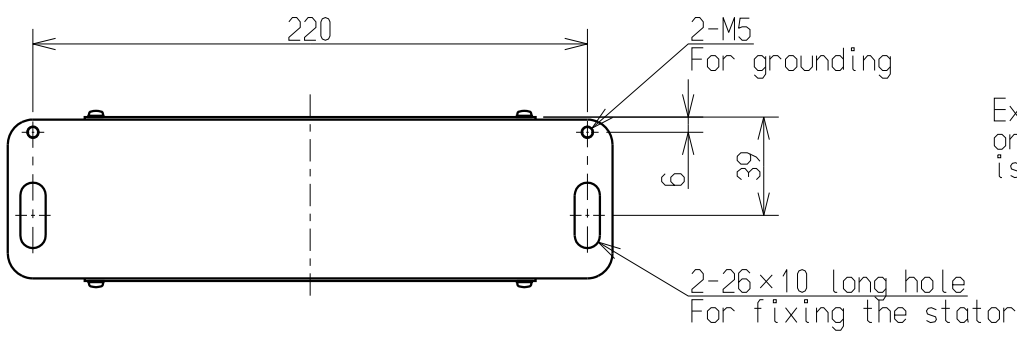
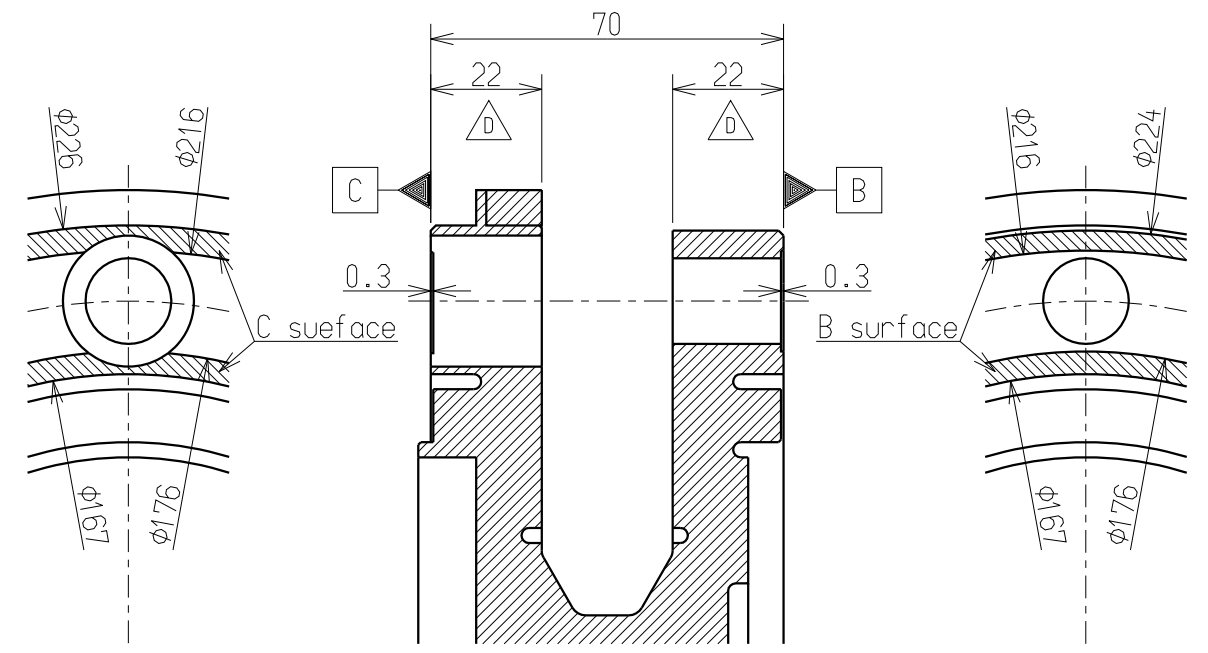
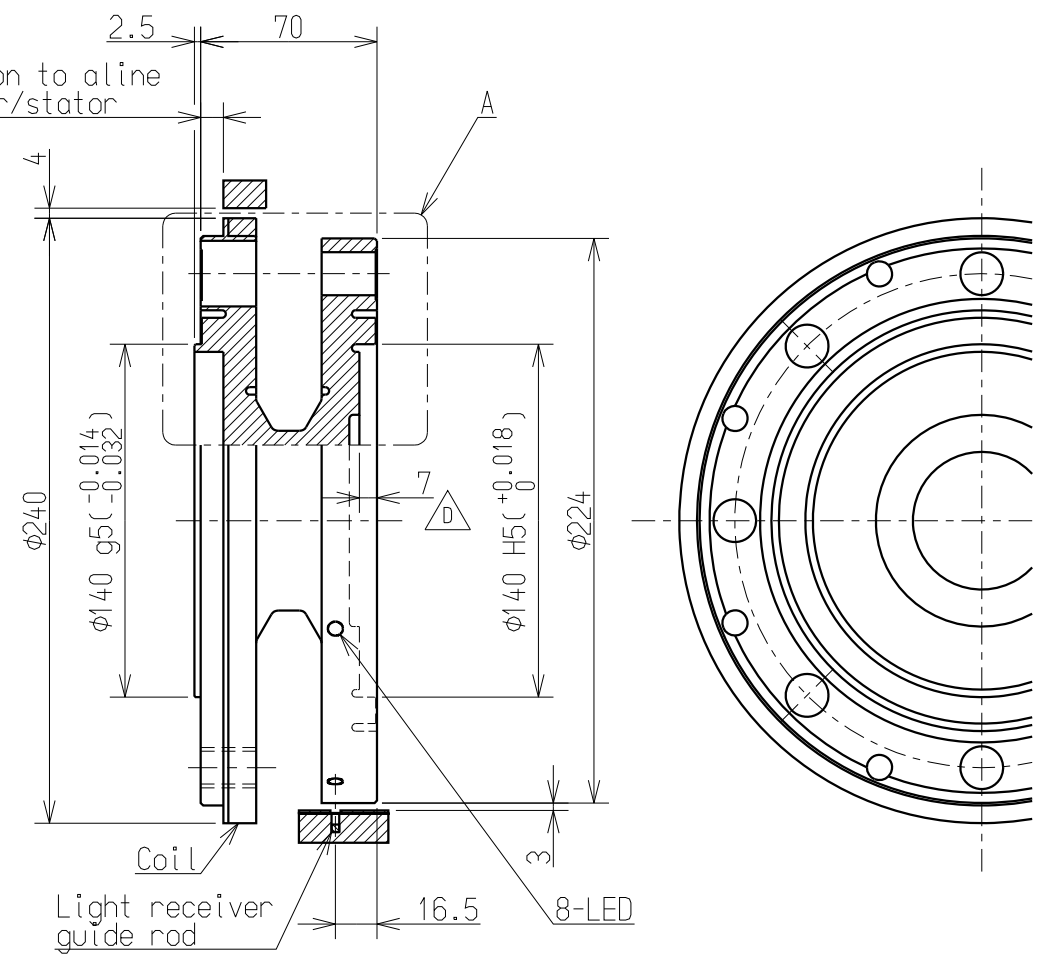
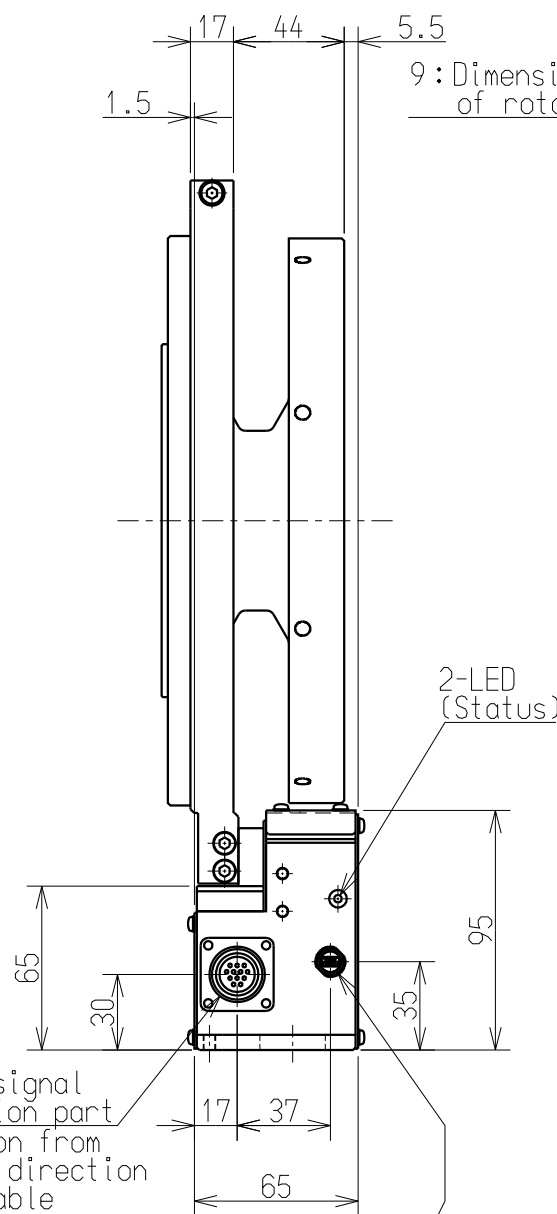
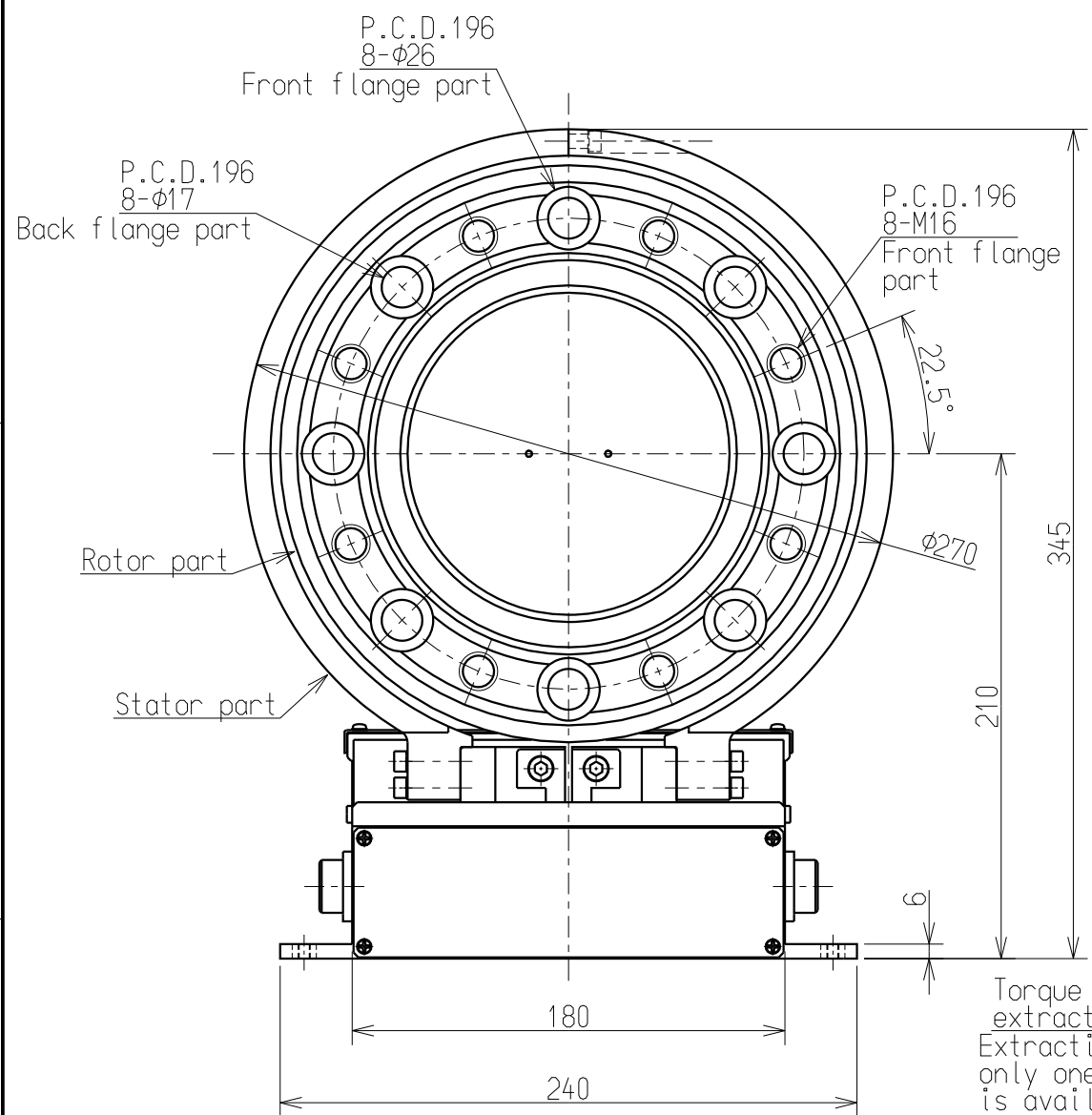
6

A

B

C

D



2-USB port
Extraction from only one direction is available

△ TMHSA-10KNM

ミネベアミツミ株式会社 MinebeoMitsumi Inc. センシングデバイス事業部 Sensing Device Business Unit	作成日 DATE	2019/11/27
	品名 DESCRIPTION	OUTLINE
	型式 MODEL NAME	TMHSA
	図番 DRAWING NO.	KT54341-2
	葉番 SHEET	9 / 9
	改訂 REV.	D