

## SPECIFICATIONS

### Power Conversion Box

DBX-001

Spec. No. EN353DBX001-C

1/3

#### 1. General

DBX-001 is the power conversion box for the customer who uses the torque transducer of TMHF, TMHFB, TMOFA or TMOFB to use the transmitter OPT-563B.

#### 2. Specifications

- Power supply voltage to stator  $\pm 15$  V
- Power supply voltage to rotor AC20 Vrms Square wave 11.25kHz
- Applicable torque transducer TMHF, TMHFB, TMOFA or TMOFB
- Applicable transmitter OPT-563B

#### 3. General specifications

- Operating temperature / humidity range
  - Temperature  $-10$  °C ~  $50$  °C
  - Humidity 85 %RH or less (Non condensing)
- Power supply
  - Power supply voltage DC24 V $\pm$ 2 V, 2 A
- Outline dimensions(W  $\times$  H  $\times$  D)  
180 mm $\times$  65 mm  $\times$  60 mm (Excludes connector and protruding parts)
- Weight 900g

#### 4. Accessories

- Instruction manual 1 piece
- Coupling cable for transmitter (1m)  
1 piece

#### 5. Installation site

Please connect the transmitter by using a connection cable supplied with the unit, please be installed near the transmitter.

Please contact us if you can not install near the transmitter.

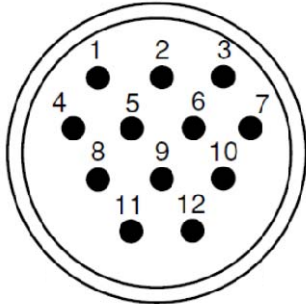
## SPECIFICATIONS

DBX-001

Spec. No. EN353DBX001-C

2/3

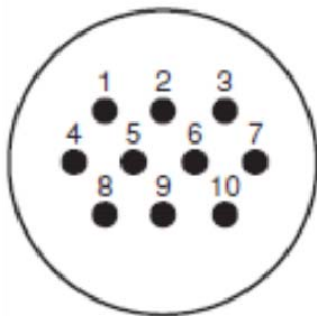
### 6. Pin layout of connector



Pin layout of the connector for torque transmitter

Pin No.	Name	Usage
1	Differential signal of torque (+)	Torque signal output
2	Differential signal of torque (-)	Torque signal output
3	N.C.	Don't connect.
4	+24 V	Connect with DC24 V
5	GND	Ground
6	Shield	Shield
7	GND	Ground
8	N.C.	Don't connect.
9	Alarm (H)	Alarm for luminous energy decrease.
10	N.C.	Don't Connect
11	Alarm (M)	Alarm for luminous energy decrease.
12	Error	Alarm for luminous energy decrease.

※ Applicable plug : equivalent to NJW-2012-PM12(UL) by Nanaboshi Electric Mfg. Co., Ltd.



Pin layout of the connector for torque transducer

Pin No.	Name	Usage
1	Differential signal of torque (+)	Torque signal input
2	Differential signal of torque (-)	Torque signal input
3	+15 V	DC+15 V output
4	GND	Ground
5	-15 V	DC-15 V output
6	GND	Ground
7	ALARM	Alarm input for luminous energy decrease.
8	GND	Ground
9	AC	Power supply signal for rotor
10	AC	Power supply signal for rotor

※ Applicable plug : equivalent to SRCN6A16-10P (by JAE)

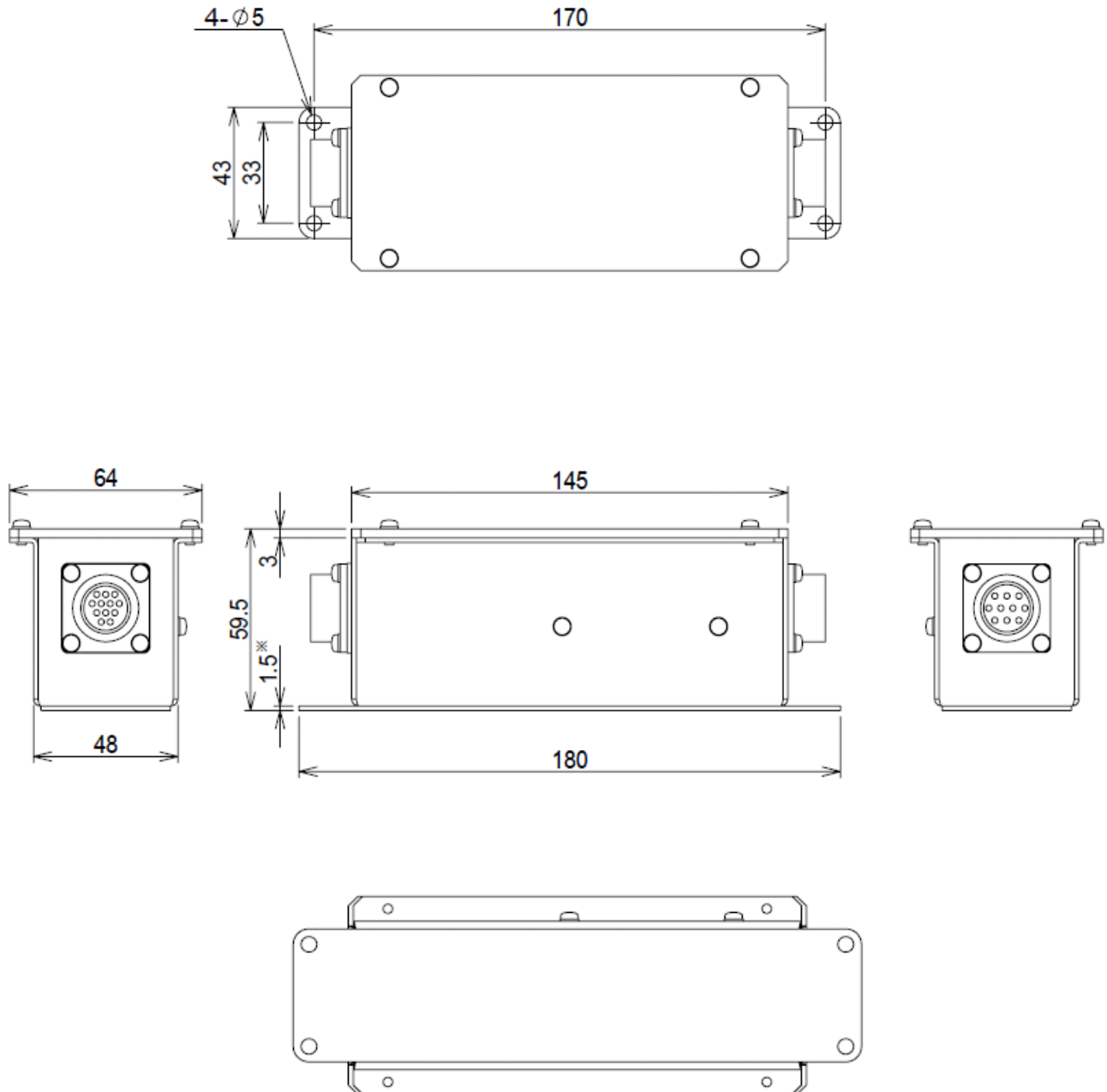
## SPECIFICATIONS

DBX-001

Spec. No. EN353DBX001-C

3/3

### 7. Outline dimensions



※Specifications and Outline dimensions and so on which have printed may subject to change for the purpose of improvement without notice.