

Specifications

Transmitter

CSA-524

Specification No. EN351524 1/2

1. General

The instrument is a transmitter for the exclusive use with strain gage applied vector sensor.

2. Specifications

- Bridge power supply DC5 V±0.15 V
- Applicable transducers
 - Fx One Fx output of vector sensor (120 Ω half bridge) can be connectable.
 - Fy One Fy output of vector sensor (120 Ω half bridge) can be connectable.
 - Fz One Fz output of vector sensor (120 Ω full bridge) can be connectable.
- Input range
 - Fx ± 300 μST to ± 5 000 μST
 - Fy ± 300 μST to ± 5 000 μST
 - Fz ± 300 μST to ± 2 000 μST
- Output
 - Fx, Fy, Fz DC ± 5 V R.O.
- Output load resistance 2 kΩ or more
- Sensitivity adjustment range
 - Fx, Fy 650 times is adjustable from 1/1 to 1/2
 - Fz 6 900 times is adjustable from 1/1 to 1/2
- Zero adjustment range
 - Coarse adjustment ± 3 000 μst
 - Fine adjustment ± 300 μst
- Non-linearity 0.05 %F.S.
- Temperature coefficient
 - Zero point ± 1 μV/°C (Input conversion)
 - Sensitivity ± 0.01 %F.S./°C
- CALIB
 - Fx, Fy 3 000 μst ± 15 μst
 - Fz 300 μst ± 1.5 μst
- Frequency response range Approx. 100 Hz (-3 dB±1 dB)

3. General specifications

- Operating temperature/humidity range
 - Temperature -10 °C to 50 °C
 - Humidity Less than 85 %RH (Non condensing.)
- Power supply
 - Power supply voltage DC24 V 120 mA (Permissible variable range DC18 V to DC36 V)
- Outline dimensions(W×H×D) 140 mm x 75 mm x 15 mm (Excludes protruding parts.)
- Weight Approx.100 g

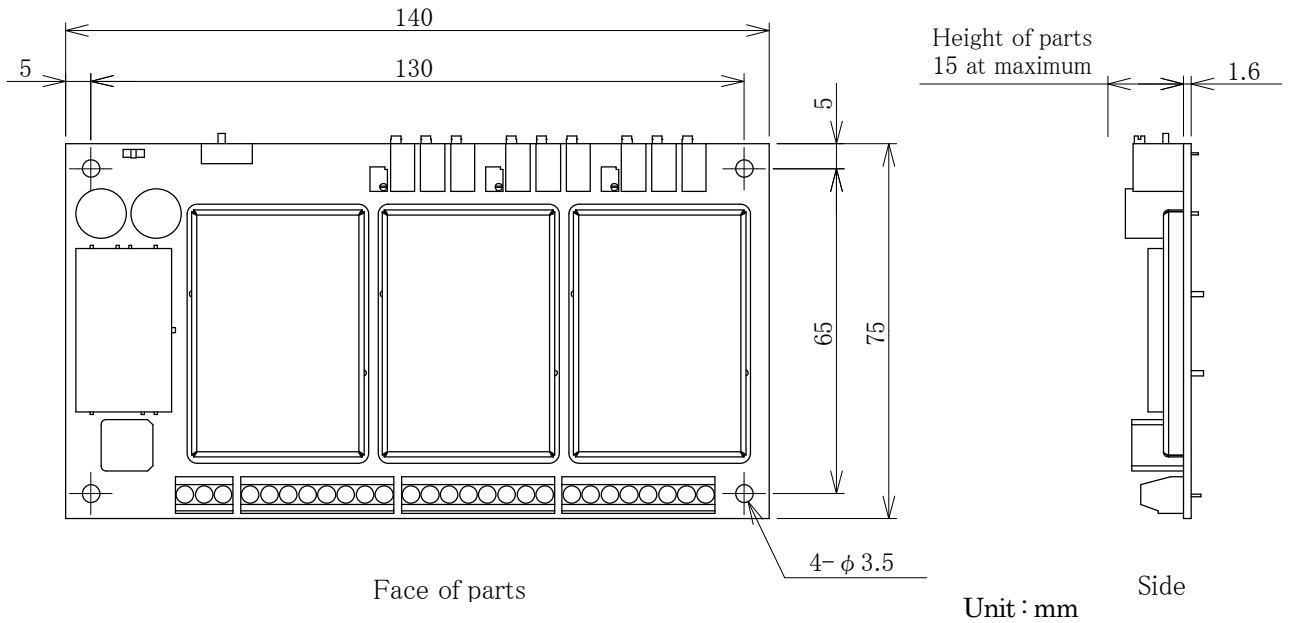
Specifications

Transmitter

CSA-524

Specification No. EN351524 2/2

4. Outline dimension



Specifications and outline dimensions and so on which have printed may subject to change for the purpose of improvement.