

SPECIFICATIONS

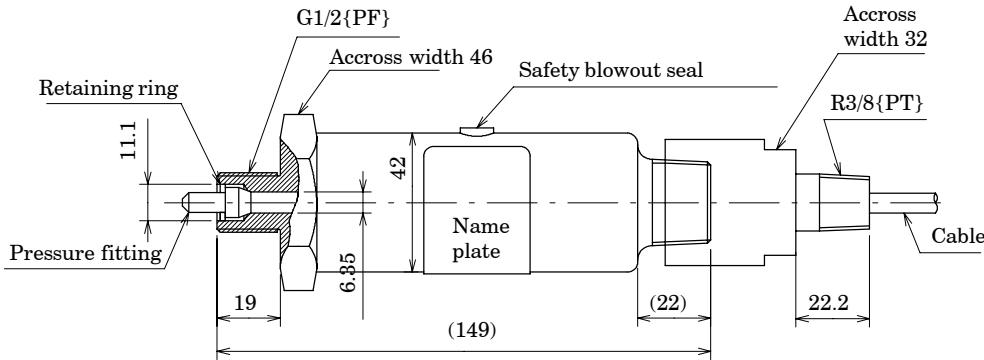
Pressure Transducer
for high pressure range

Pressure Transducer
STD-200MP ~ 500MP

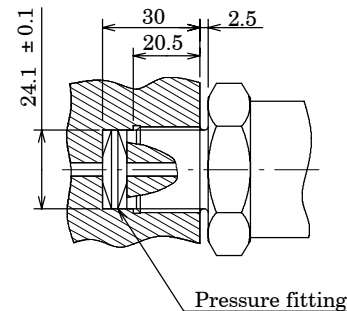
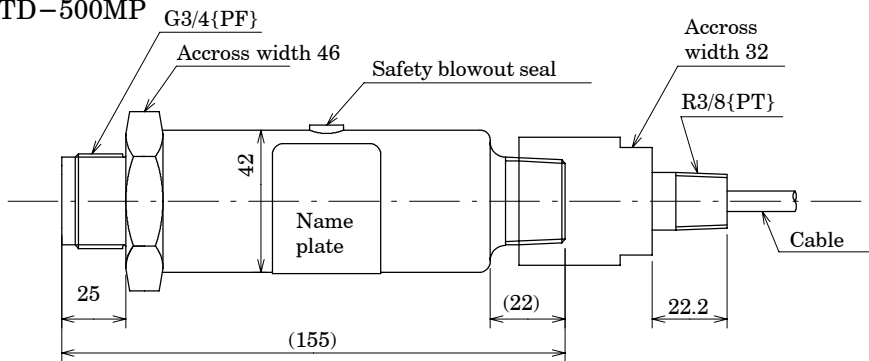
Spec. No. EN221042-A

2/2

STD-200MP ~ 400MP



STD-500MP



Outline dimensions

Unit : mm

P/N	Rated capacity	Natural frequency (Approx.kHz)	Weight (Approx.g)
STD-200MP	200 MPa	18.6	1.4
STD-300MP	300 MPa	18.6	
STD-400MP	400 MPa	19.9	
STD-500MP	500 MPa	19.9	

Specifications and outline dimensions and so on which have printed may subject to change for the purpose of improvement.