

Mounting attachment with slide stop mechanism

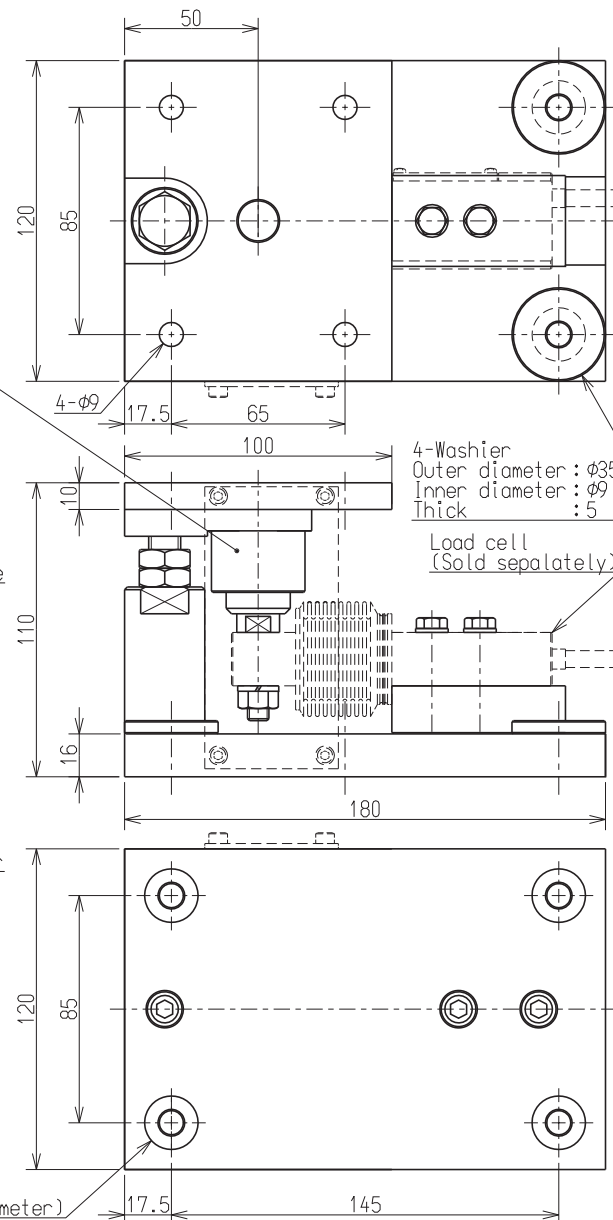
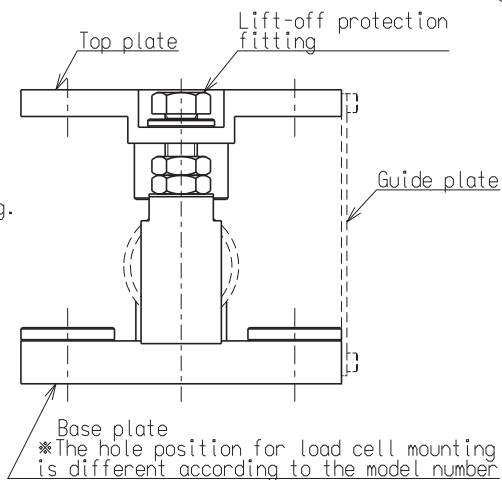
Specification

- Applicable load cell: CBE1-5K~200K(-U)
- Allowable horizontal load: 1.961 kN (200 kgf)
- Allowable horizontal moving length: ±3 mm(No directionality)
- Material: SUS304 or equivalent
- Allowable lifting load: 1.961 kN (200 kgf)
- Weight: Approx 4.3 kg(Load cell is not included)
- Models: For CBE1-5K~50K(-U):CCACBE1-1CS
- For CBE1-100K~200K(-U):CCACBE1-2CS

<Accessories>

- Washer : 4 piece
- Guide plate : 1 piece
- Hexagon socket head cap screw(M4X8) : 4 piece

Spherical ball fitting that receives load
 *Shape is different according to the model number



Notes

- Please use the model that suits the capacity of the load cell so that the shape of spherical ball fitting and the hole position for mounting load cell are different in model number CCACBE1-1CS and CCACBE1-2CS.
- Please design the strength of bracket and trestle where the mounting attachment with slide stop mechanism is install to endure the load enough.
- The bracket and trestle to install the mounting attachment with slide stop mechanism is very important section to support load. so execution of works should be made carefully.
- The bracket and trestle to install the mounting attachment with slide stop mechanism should be constructed to be vertical to the direction of loading. (For the horizontality of the trestle is within 1/2" for the general application. and if you want to require high accuracy, make it within 1/4".)
- When you want to hole the tank for purpose of level adjustment on the tank or exchanging load cells, occupy a space for jacking up between the bracket and the trestle of the tank.
- When installing the mounting attachment with slide stop mechanism in a pit, you should consider a measure such as a drain not to stagnate water.
- Please protect cover so that neither direct sunshine, nor wind, nor rain may strike directly to the mounting attachment with slide stop mechanism in outdoor. The cover might be detached when maintaining it, and please make the cover a structure that can be detached.
- We recommend that the height of installation of the mounting attachment with slide stop mechanism should be located near the center of gravity of the tank.
- We also recommend you to install stay rods together where there may have some vibrations due to mixeres or so on.
- In the case of installation, fasten the bolts tightly with looseness considered.
- The mounting hole of the base plate is enlarged little as you may shift. Therefore, please fix by the attached washer when you install the base plate.
- Never weld the mounting attachment with slide stop mechanism to the construction (beam, bracket and so on) directly.
- It is not recommendable to weld on the condition of installing the load cell on the mounting attachment with slide stops mechanism as much as possible. If you really want to execute to weld, be sure to prepare for the earth wire near the welding point not to pass the welding urrent to the load cell. Moreover, remove the load cell cable from the amplifire for safety.
- Never cut off the load cell cable. If you cut off, there may have the possibility of deviation of calibration value.
- To adjust the level, please loosen the bolt of top plate, jack it up, and place the shim, etc., between the top plate and bracket.
- In the shipment from the factory, the center of load cell and top plate is matched by the guide plate. Therefore, please do not detach the guide plate before mountings is over. The guide plate is to be detached when you use it.
- Please apply the greece internally from the space of spherical ball fitting regularly in the environment that rusts easily.
- Specifications and outline dimensions and so on which have printed may subject to change for the purpose of improvement.

ミネベアミツミ株式会社 MinebeaMitsumi Inc. センシングデバイス事業部 Sensing Device Business Unit	作成日 DATE	2018/05/31		
	品名 DESCRIPTION	外観仕様図/OUTLINE		
	型式 MODEL NAME	CCACBE1-※CS	兼番 SHEET	2 / 2
	図番 DRAWING NO.	KT54806-2	改訂 REV.	-