

SPECIFICATIONS

Load Cell for Scale

Load Cell
CB17-600G ~ 3K-11

SPEC.No.EN214021-B 1/2

Performance

Rated capacity	: 5.884 N{600 gf} ~ 29.42 N{3 kgf}
Safe overload	: 300 %R.C.
Ultimate overload	: 400 %R.C.
Rated output	: 1 mV/V \pm 0.1 mV/V
Non-linearity	: 0.02 %R.O.
Hysteresis	: 0.02 %R.O.
Repeatability	: 0.02 %R.O.
Creep	: 0.02 %R.O./20 min
Creep recovery	: 0.02 %R.O./20 min

Electrical

Excitation, recommended	: 10 V or less
Excitation, at maximum	: 15 V
Zero balance	: \pm 0.05 mV/V
Input resistance	: 420 \pm 3%
Output resistance	: 350 \pm 5
Insulation resistance (between bridge and main body)	: 2 000 M or more (DC50 V)

Temperature

Temperature range, compensated	: -10 to 50
Temperature range, safe	: -10 to 50
Temperature effect on zero balance	: 0.04 %R.O./10
Temperature effect on output	: 0.012 %LOAD/10

Cable : 3.2、4-cores shielded cable 40 cm directly attached,
Cable end is separated.

Class of protection	: Equivalent to IP40
Material of element	: Aluminium alloy
Durability	: 10^6 times with rated load applied.

Effect of eccentric load :

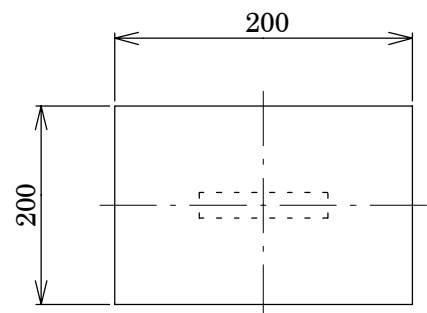
- Refer to the above figure as for the maximum size of loading plate.
- The center of loading plate and also the center of load cell should be the same position.
- Error is within 0.02 %R.O. applied with 1/2 of rated capacity at the position of 50 mm of eccentricity.

Note) R.O. means Rated Output and also R.C. means Rated Capacity.

Polarity of output will become plus(+) when the direction of compression load is applied.

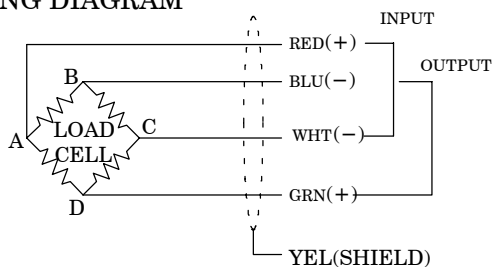
If polarity change is required, change wiring of blue and green.

Maximum size of loading plate



(Unit : mm)

WIRING DIAGRAM



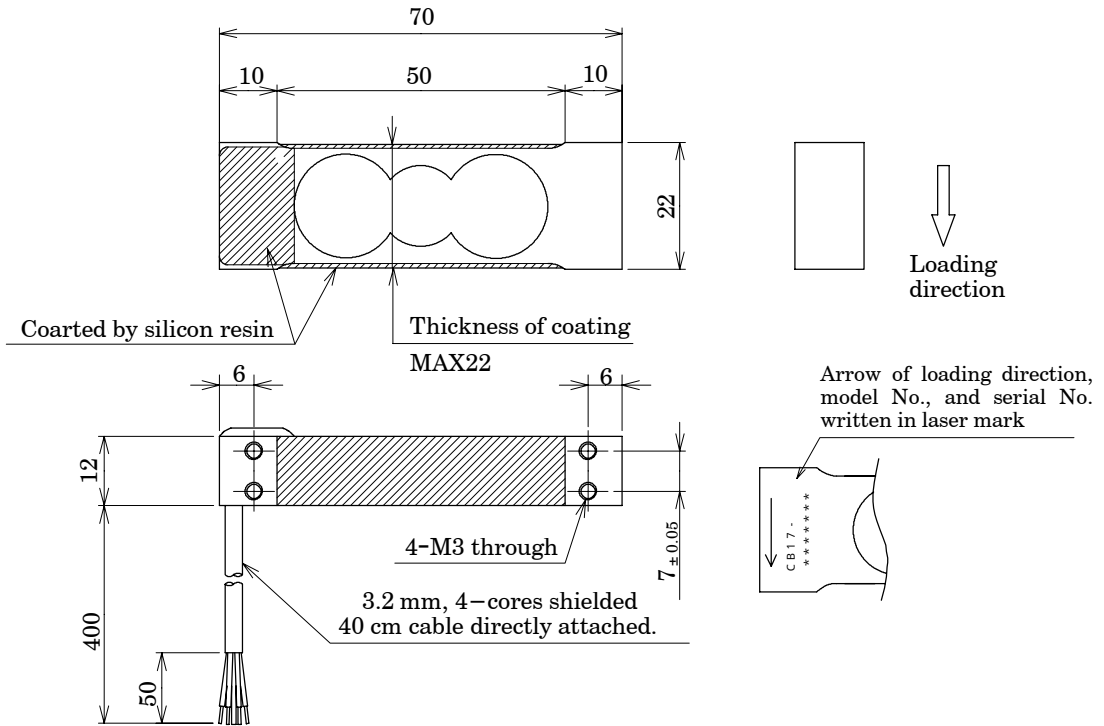
Composition	
Main body	1
Inspection Data Sheet	1

SPECIFICATIONS

Load Cell
CB17-600G ~ 3K-11

SPEC.No.EN214021-B

2/2



(Unit : mm)

Outline dimensions

P/No.	Rated capacity	Rated displacement	Natural frequency (Hz)	Weight (Approx.g)
CB17-600G-11	5.884 N {600 gf}	0.17	200	40
CB17-1K-11	9.807 N {1 kgf}	0.17	290	40
CB17-2K-11	19.61 N {2 kgf}	0.17	410	40
CB17-3K-11	29.42 N {3 kgf}	0.17	500	40

Specifications and outline dimensions and so on which have printed may subject to change for the purpose of Improvement without notice.