

LOADCELL TYPE C2G1-6K~50K-A  
SPECIFICATIONS

● PERFORMANCE

Rated capacity(R.C.) : 58.84 N { 6 kgf }, 98.07 N { 10 kgf },  
117.7 N { 12 kgf }, 147.1 N { 15 kgf },  
196.1 N { 20 kgf }, 245.2 N { 25 kgf },  
294.2 N { 30 kgf }, 343.2 N { 35 kgf },  
490.3 N { 50 kgf }

Safe overload : 150 %R.C.  
Ultimate overload : 200 %R.C.  
Rated output(R.O.) : 2.0 mV/V±0.2 mV/V  
Non-linearity : 0.015 %R.O.  
Hysteresis : 0.015 %R.O.  
Repeatability : 0.02 %R.O.  
Creep : 0.02 %R.O./20min  
Creep recovery : 0.02 %R.O./20min

● ELECTRICAL

Recommended excitation : 12 V or less  
Maximum excitation : 20 V  
Zero balance : ±0.1 mV/V  
Input terminal resistance : 420 Ω±30 Ω  
Output terminal resistance : 350 Ω±5 Ω  
Insulation resistance : 2000 MΩ or more(DC50 V)  
(bridge-body)

● TEMPERATURE

Compensated temperature range : -10 ℃ to 50 ℃  
Safe temperature range : -10 ℃ to 50 ℃  
Temperature effect : 0.04 %R.O./10℃  
on zero balance  
Temperature effect : 0.012 %LOAD/10℃  
on output

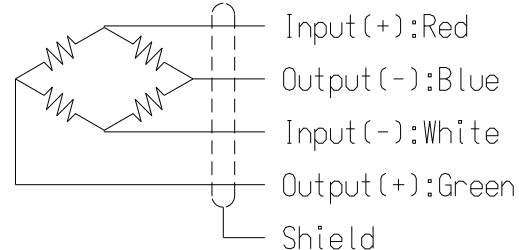
● INFLUENCE OF ECCENTRIC LOAD

Max size of the loading plate : 300 mm×300 mm  
The center of loading plate : Be sure to adjust of loading plate to the center of load cell.  
Measuring accuracy : Accuracy within 0.02 %R.O. with 1/2 of rated load applied at 75 mm from center.

● THE OTHERS

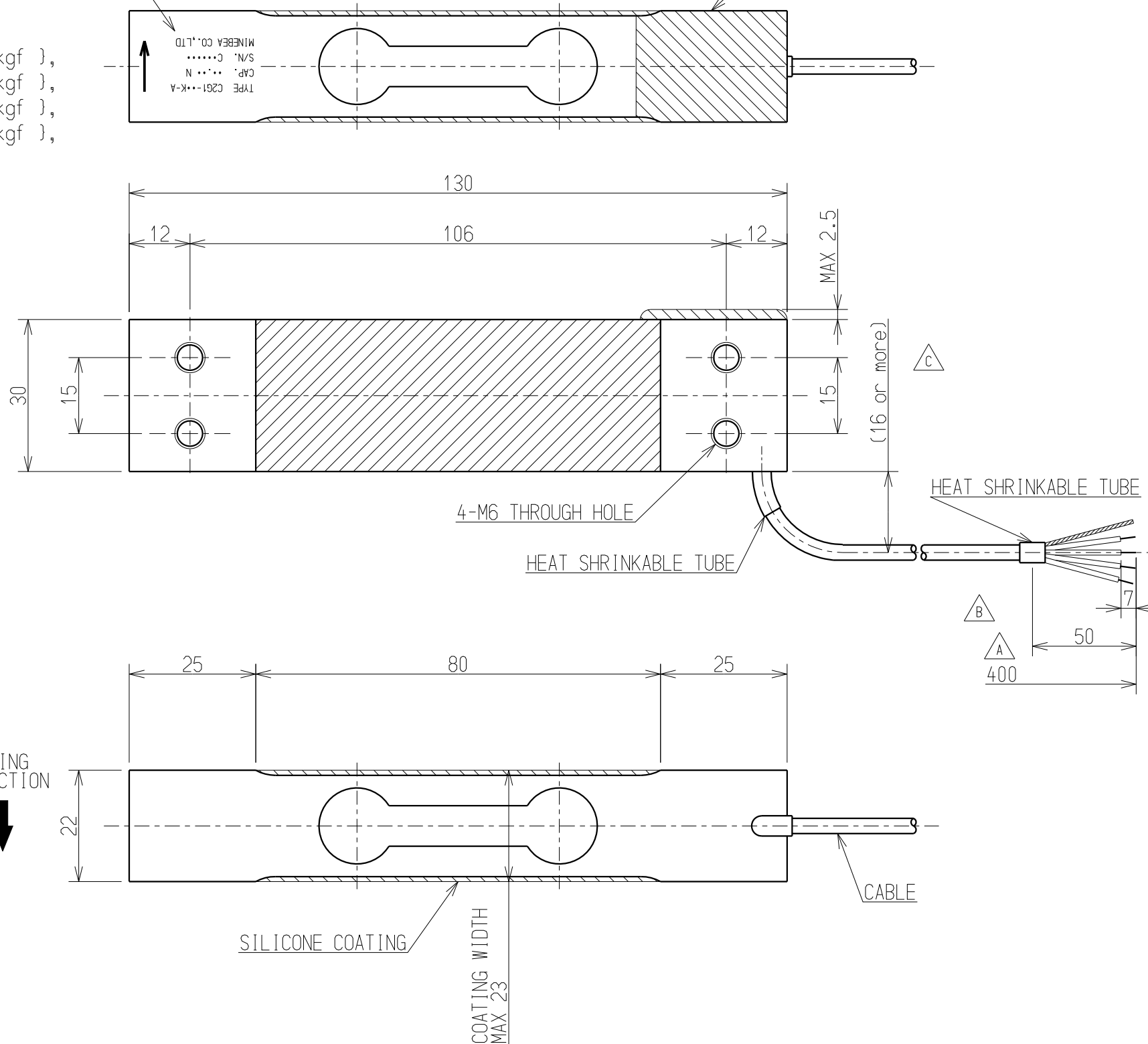
Cable : φ3.2 4core shield 40 cm  $\triangle$ A  
 $\triangle$ A IP level : IP64  
Material of element : ALUMINIUM ALLOY  
Weight : approx 200 g  
 $\triangle$ A RoHS : Compliant

● Circuit



LAZER MARKING

SILICONE COATING



A

B

C

公布
K
S
T
F

					<b>ミネベア株式会社</b> MINEBEA CO.,LTD. 計測機器事業部			単位 UNIT mm 尺度 SCALE FREE	材質 MATERIAL 表面粗さ SURF.ROUGH. 熱処理 HEAT TREAT. 表面処理 FINISH	作成日 DATE 2006.8.21 品名 DESCRIPTION <b>OUTLINE</b>
C	2012.5.21	KN12-0183	S.UCHI	F.IDE	APPROVED	CHECKED	DRAWN	寸法 L 公差 <L≤4 ±0.1 4<L≤16 ±0.2 16<L≤63 ±0.3 63<L≤250 ±0.5 250<L≤1000 ±0.8 角度 DEG ±0.5	品番 PART NO.(MODEL NO.) C2G1-6K~50K-A 葉番 SHEET	図番 DRAWING NO. KT52301-2 改訂 REV. C
B	2008.1.29	KN08-0021	S.UCHI	A,MURO						
A	2006.10.5	KN06-0411	M.ONUMA	A.MURO						
符号 MARK	日付 DATE	変更事項 REASON	ECN NO.	担当 ENGINEER	承認 APPROVED	F.IDE	A.MUROHASHI	M.Onuma		