

## SPECIFICATIONS

Circle shape plate bending type  
Load cell

Load Cell  
C1W1M-6T ~ 50T-S01

SPEC.No.EN211507-A 1/2

### PERFORMANCE

Rated capacity : 58.84 kN {6 tf} ~ 490.3 kN {50 tf}  
 Safe overload : 150 %R.C.  
 Ultimate overload : 150 %R.C.  
 Non-linearity : 0.6 %R.O.  
 Hysteresis : 0.6 %R.O.  
 Repeatability : 0.2 %R.O.

### ELECTRICAL

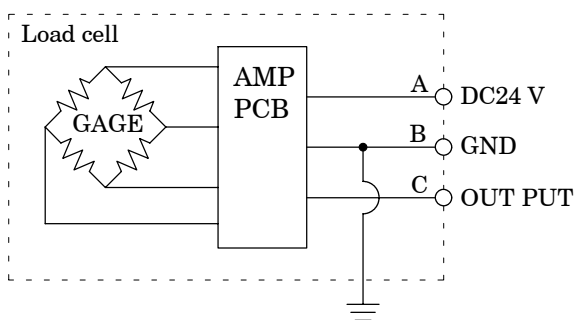
Current output : 4 mA to 20 mA  
 (3 wires method, Load resistance 500 or less, at 24 )  
 Power supply voltage : DC 24 V (21.6 V to 26.4 V)

### TEMPERATURE

Temperature range, compensated : 0 to 60  
 Temperature range, safe : - 10 to 70  
 Temperature effect on zero balance : 0.15 %R.O./10  
 Temperature effect on output : 0.15 %LOAD/10  
 Cable : 4.7 mm, 4 cores shielded 5 m cable  
 Y type solderless terminal is attached at cable end.  
 Class of protection : Equivalent to IP64. (Main body only)  
 Materials of the element : Mild steel  
 Durability : 10<sup>6</sup> times with rated capacity.

NOTE) R.O. indicates Rated Output and also R.C. indicates Rated Capacity.

### Wiring diagram



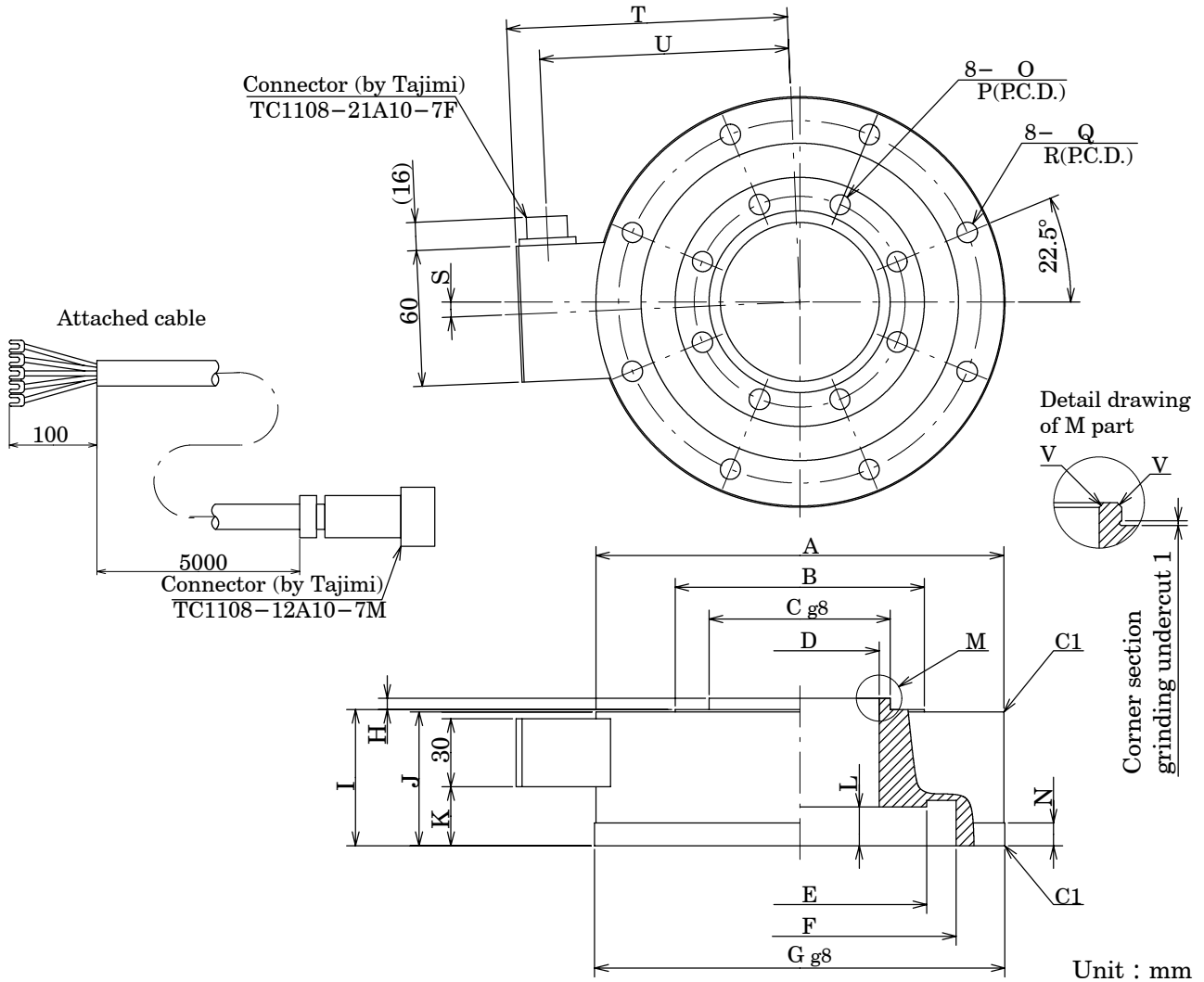
### Composition

| Composition           |   |
|-----------------------|---|
| Main body             | 1 |
| Cable                 | 1 |
| Inspection data sheet | 1 |

## SPECIFICATIONS

Load Cell  
C1W1M-6T ~ 50T-S01

SPEC.No.EN211507-A 2/2



Outline dimensions

Unit : mm

| P/N           | Rated capacity  | A   | B   | C   | D   | E   | F   | G   | H | I  | J  | K  | L  |
|---------------|-----------------|-----|-----|-----|-----|-----|-----|-----|---|----|----|----|----|
| C1W1M-6T-S01  | 58.84 kN{6 tf}  | 174 | 110 | 80  | 72  | 112 | 138 | 181 | 3 | 37 | 36 | 6  | 14 |
| C1W1M-8T-S01  | 78.45 kN{8 tf}  |     |     |     |     |     |     |     |   |    |    |    |    |
| C1W1M-15T-S01 | 147.1 kN{15 tf} | 180 | 110 | 80  | 70  | 112 | 138 | 181 | 5 | 60 | 59 | 26 | 17 |
| C1W1M-20T-S01 | 196.1 kN{20 tf} |     |     |     |     |     |     |     |   |    |    |    |    |
| C1W1M-34T-S01 | 333.4 kN{34 tf} | 275 | 180 | 135 | 110 | 182 | 208 | 276 | 7 | 60 | 59 | 26 | 17 |
| C1W1M-50T-S01 | 490.3 kN{50 tf} |     |     |     |     |     |     |     |   |    |    |    |    |

| P/N           | N  | O  | P   | Q  | P   | S    | T   | U   | V    | Rated displacement | Natural frequency(Hz) | Weight (Approx.kg) |
|---------------|----|----|-----|----|-----|------|-----|-----|------|--------------------|-----------------------|--------------------|
| C1W1M-6T-S01  | 5  | 9  | 93  | 9  | 154 | 0°   | 120 | 104 | C0.5 | 0.05               | 2 000                 | 4                  |
| C1W1M-8T-S01  |    |    |     |    |     |      |     |     |      | 0.05               |                       |                    |
| C1W1M-15T-S01 | 10 | 9  | 93  | 9  | 160 | 2.5° | 123 | 107 | C1   | 0.05               | 2 000                 | 7                  |
| C1W1M-20T-S01 |    |    |     |    |     |      |     |     |      | 0.05               |                       |                    |
| C1W1M-34T-S01 | 10 | 13 | 160 | 13 | 247 | 0°   | 171 | 155 | C1   | 0.06               | 2 000                 | 18                 |
| C1W1M-50T-S01 |    |    |     |    |     |      |     |     |      | 0.06               |                       |                    |

Specifications and outline dimensions and so on which have printed may subject to change for the purpose of improvement without notice.