

● Specifications

1, General

The instrument is used for summing the signals from strain gage applied transducers up to 4 pieces.

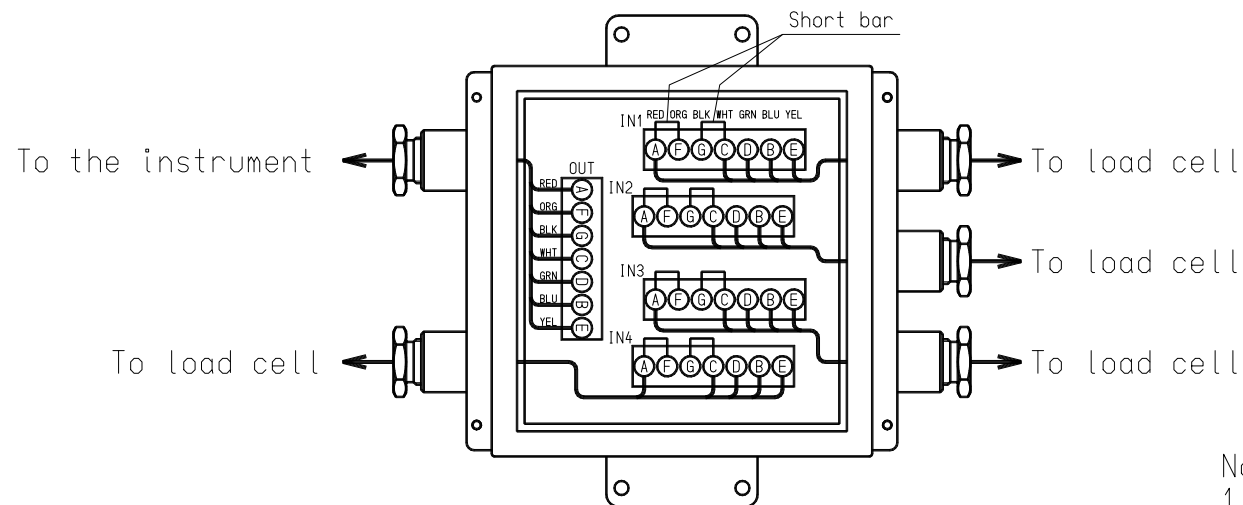
2, General specifications

- P/N SB-321
- △ Protective construction IP69K
- No. of adding points 4 points at maximum.
- △ Applicable diameter of cable $\phi 4.7$ to $\phi 11$
- Material of case Stainless steel
- Operating temperature -10°C to 70°C
- Weight Approx. 1.7 kg

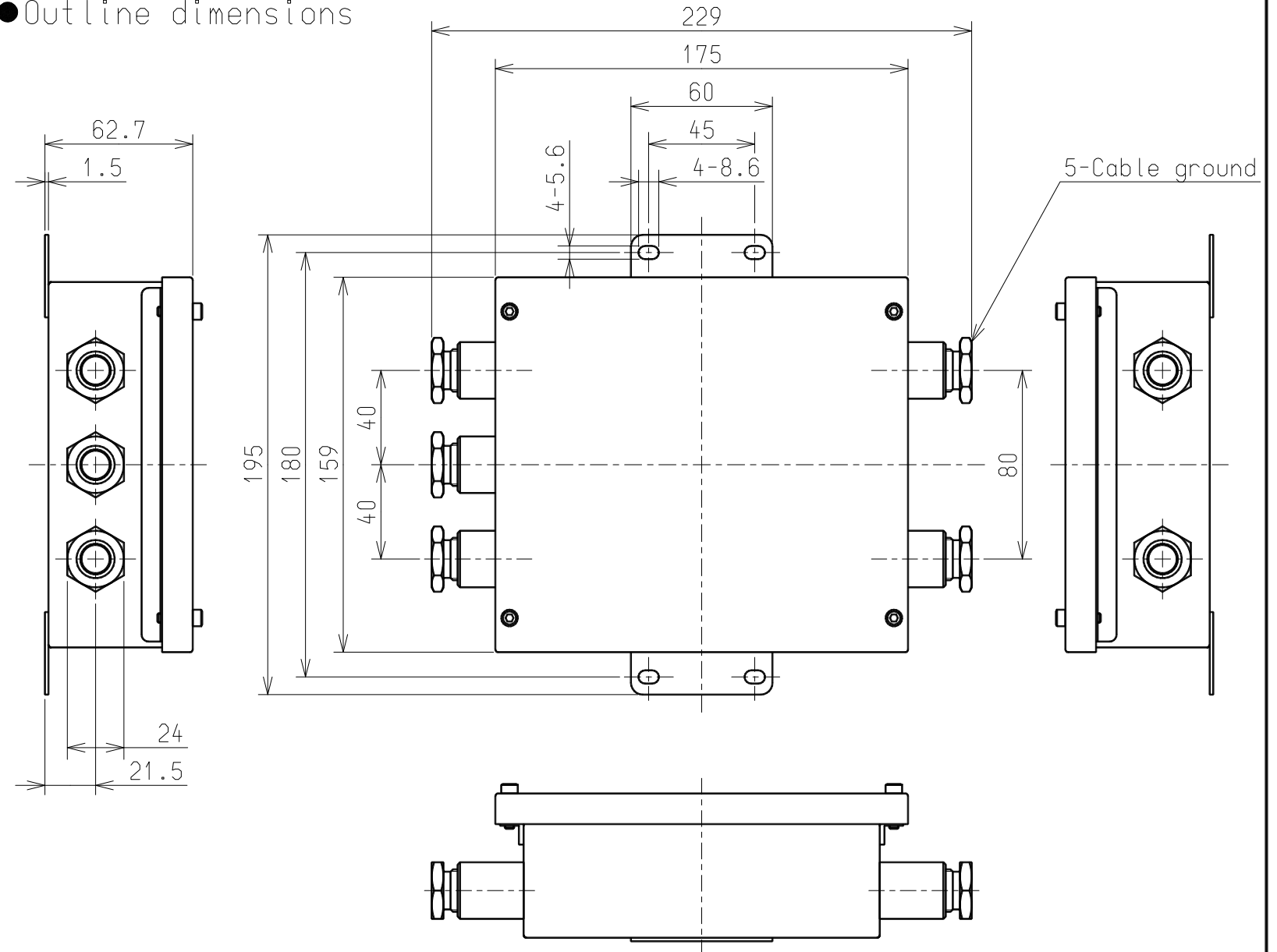
3, Accessories

- △ Ground packing($\phi 11$) : 5 pieces
(Diameter of cable: From more than $\phi 9$ to $\phi 11$)
- △ Ground packing($\phi 9$) : 5 pieces
(Diameter of cable: From more than $\phi 7$ to $\phi 9$)
- △ Ground packing($\phi 7$) : 5 pieces
(Diameter of cable: From $\phi 4.7$ to $\phi 7$)
- Ground packing(No hole) : 2 pieces (For 2 and 3 points)
- Ground washer : 5 pieces
- Ground washer(No hole) : 2 pieces (For 2 and 3 points)
- Short bar : 8 pieces (Terminal board IN1 to IN4)

● Wiring diagram



● Outline dimensions

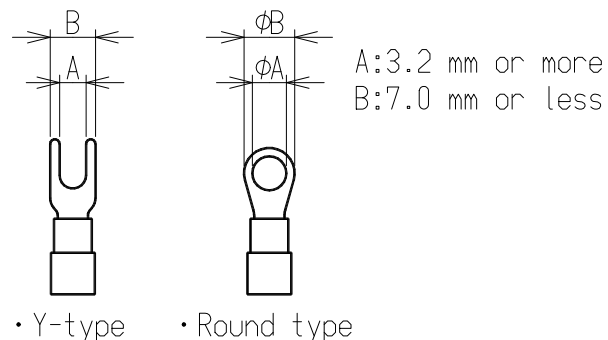


Notes

- 1) When the instrument is installed in outdoors, be sure to locate with the upper cover upward or in the vertical direction. And when vertical installation is required, set it in the status of drawing direction of ground for piping in parallel with the ground.
- 2) When deterioration of insulation is considered due to wide range of temperature change, fill the instrument with white vaseline after cable connection is completed. (Dryer will do.)
- 3) Please use Ground packing and Ground washer properly according to the diameter of a cable and the adding points to be used.

※ Specifications and outline dimensions and so on which have printed may subject to change for the purpose of improvement.

● Suitable attachment terminal



				ミネベアミツミ株式会社 MinebeaMitsumi Inc. センシングデバイス事業部 Sensing Device Business Unit		単位 UNIT mm 尺度 SCALE FREE	材質 MATERIAL 表面粗さ SURF.ROUGH. 熱処理 HEAT TREAT.	作成日 DATE 2018.07.04 品名 DESCRIPTION Summing Type Junction Box
D	2018/07/04	FN18-01020		一般公差 DIMENSION L TOL $<L \leq 4$ ± 0.1 $4 < L \leq 16$ ± 0.2 $16 < L \leq 63$ ± 0.3 $63 < L \leq 250$ ± 0.5 $250 < L \leq 1000$ ± 0.8 角度 DEG ± 0.5	表面処理 FINISH	型式 MODEL NAME	葉番 SHEET	
C	2016/12/19	FN16-01068				SB-321	/	
B	2014/05/28	FN14-01030				図番 DRAWING NO.	改訂 REV.	
A	2014/04/21	FN14-01018				123-1525-ENG	D	
O	2014/01/14	NEW						
符号 MARK	日付 DATE	変更事項 REASON	ECN NO.					