

SPECIFICATIONS

B-309Z

1/2

SPEC.No.EN353309Z-C

Case with explosion proof structure
for digital indicator

1. General

This instrument is the case with explosion proof structure which install the digital indicator for strain gage applied transducer, and enable to use in the hazardous area

2. Specifications

- P/No. B-309Z- * - *
- Explosion-proof performance ExdII BT5
- Passing No. of model authorization TC17427
- Protection structure IP40
- Material (Main body and cover) Aluminum alloy article of cast metal
- Paint color Black (Eposeal No.200 by Kansai Paint Co., Ltd.)
- Quantity of built-in indicator 1 unit
- Operating temperature/humidity range depend on the specifications of installed indicator)
- Weight Approx. 28 kg

3. Parts No. configuration

B-309Z- A B - -

Options	N/M	No option
	90	with roof
	92	with stand
	90-92	with roof/stand

P/N of installed indicator

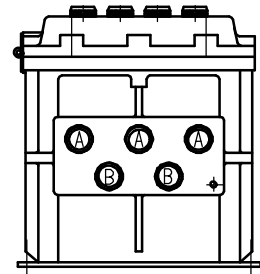
P/N of indicator	Operational function of front switch
CSD-902	No function
CSD-904	No function
CSD-814B	ZERO, A/Z, A/Z OFF

Note) Number of operational front switch is 4 points at maximum.

Number of installed TUM22P type union : 0 to 2 (available up to 2 pieces)

Number of installed TUM16P type union : 0 to 3 (available up to 3 pieces)

	P/N	Outer diameter of suitable cable (mm)	Hub size
A	TUM16P	9.1 to 11	G 1/2 (PF 1/2)
B	TUM22P	11.1 to 13	G 3/4 (PF 3/4)



4. Accessory

- Hex-head wrench for M6 size 1 piece

5. Options

- P/N 90 : with roof, 92 : with stand, 90-92 : with roof/stand

SPECIFICATIONS

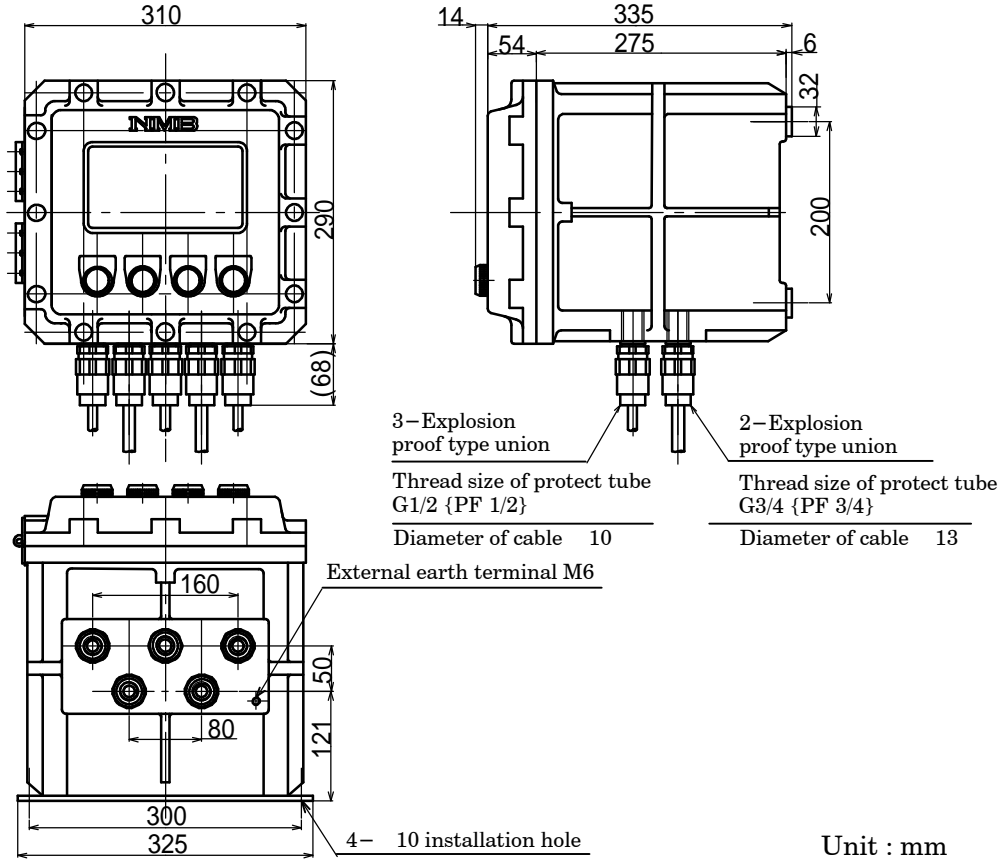
B-309Z

2/2

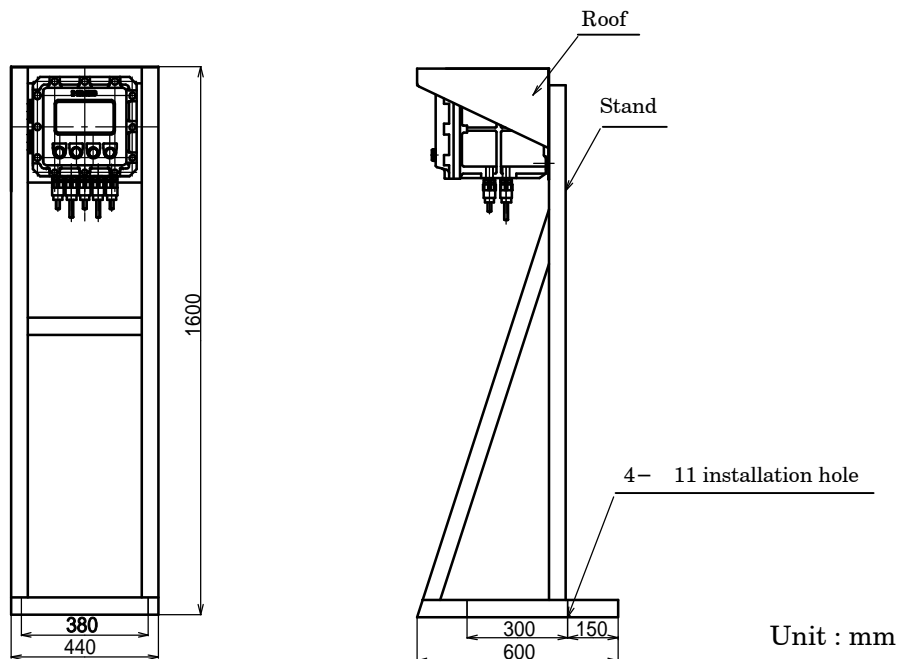
SPEC.No.EN353309Z-C

6. Outline dimensions

6-1. Outline drawing or B-309Z



6-2. Outline drawing of roof and stand (Options)



Specifications and outline dimensions and so on which have printed may subject to change for the purpose of improvement.