

SPECIFICATIONS

Explosion-proof Summing Type
Junction Box

B-304Z- -C

SPEC.No.EN353304Z-C-B 1/2

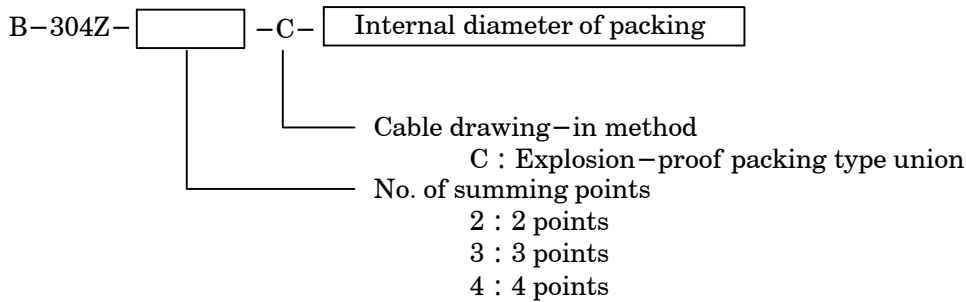
1. General

This instrument is applied when the summing of the signals from the explosion-proof type strain gage applied transducers is used in the dangerous area where the explosion-proof structure is required.

2. Specifications

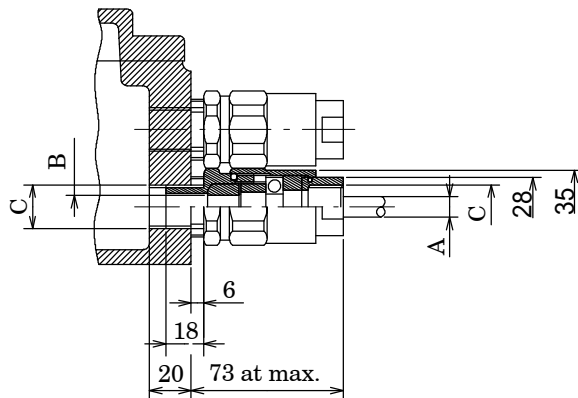
- P/No. B-304Z- -C
- Explosion-proof performance d2G4
- Passing No. of model authorization No.39811
- Protection structure IP52
- Paint color Black (Eposeal No.200 by Kansai Paint Co., Ltd.)
- Applicable cable 6 wires method CAB-501 (Minebea's standard cable)
- Cable drawing-in method Explosion-proof packing type union
- Weight Approx.18.5 kg

3. Parts No. configuration



4. Dimension of explosion-proof packing type union

Parts No. of union	Outer diameter of cable	Inner diameter of packing	Hub size
TUM16P	7 to 9	9	G1/2 {PF1/2}
	9.1 to 11	11	
TUM22P	11.1 to 13	13	G3/4 {PF3/4}
	13.1 to 15	15	
TUM28P	15.1 to 18	18	G1 {PF1}
	18.1 to 20	20	



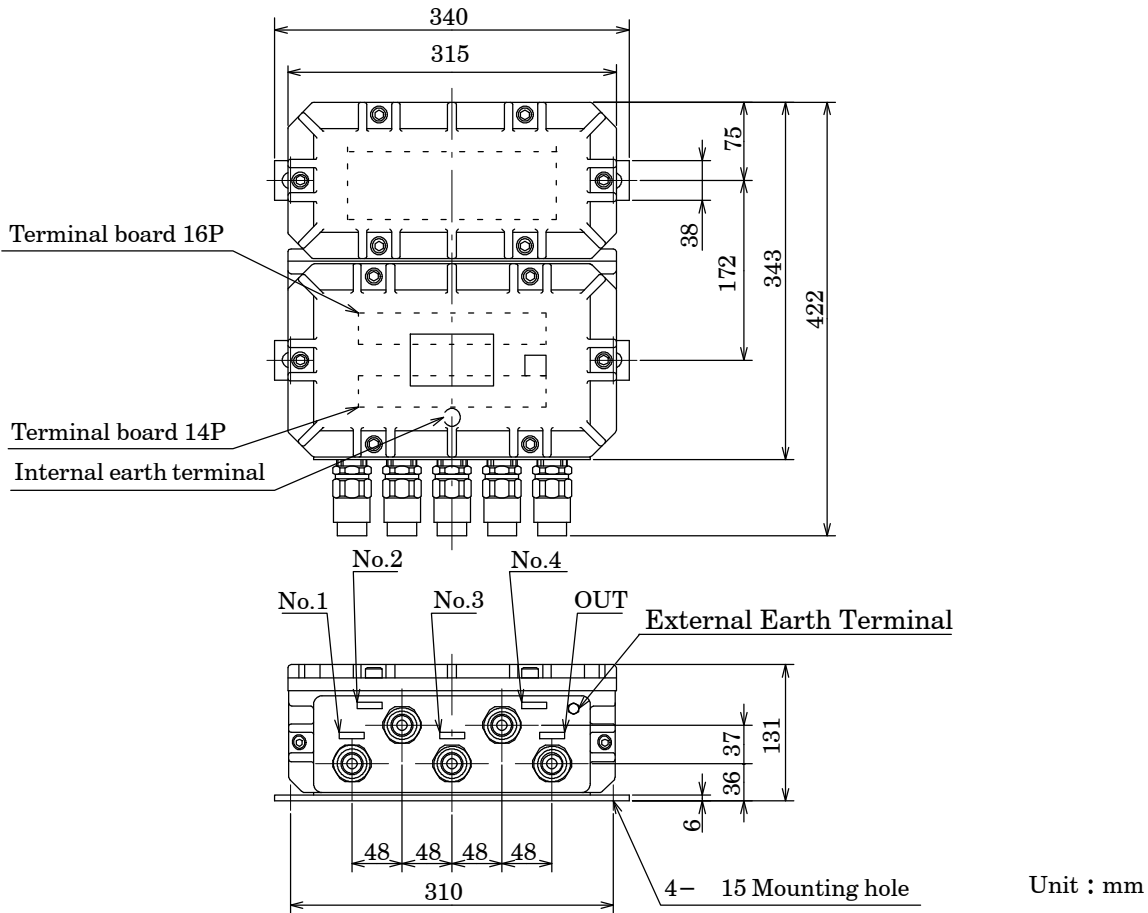
A : Outer diameter of cable
B : Inner diameter of packing
C : Hub size

SPECIFICATIONS

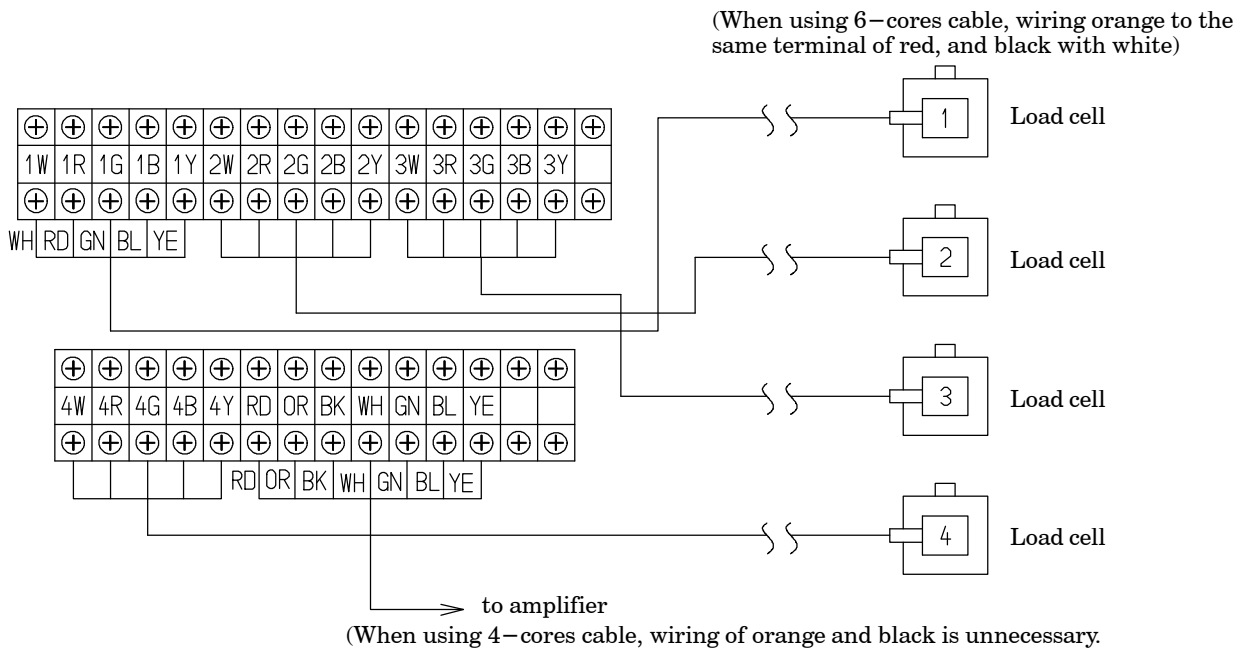
B-304Z- -C

SPEC.No.EN353304Z-C-B 2/2

5. Outline dimensions



6. Schematics



Specifications and outline dimensions and so on which have printed may subject to change for the purpose of improvement.