

SPECIFICATIONS

Summing Type Junction Box

SB-310-3-A-***

1/1

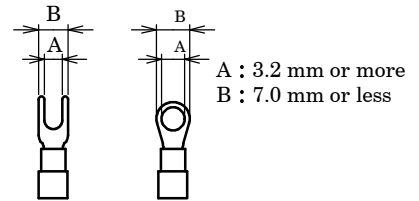
SPEC.No.EN353310-1-B

1. General

The instrument is used for summing the signals from strain gage applied transducers up to three(3) pieces

2. General Specifications

- P/N SB-310-3-A- (Standard model : SB-310-3-A-10)
- Protective construction IP67
- No. of adding points Three(3) points at maximum.
- Applicable diameter of cable 3 mm to 7 mm(Inside diameter of gasket 7 mm : 6)
7 mm to 11 mm (Inside diameter of gasket 11 mm : 10)
- Material of case ADC-12A (Aluminum die casting) Suitable attachment terminal
- Painting color Metallic silver
- Operating temperature - 10 to 70
- Weight Approx. 2.5 kg



3. List of P/N

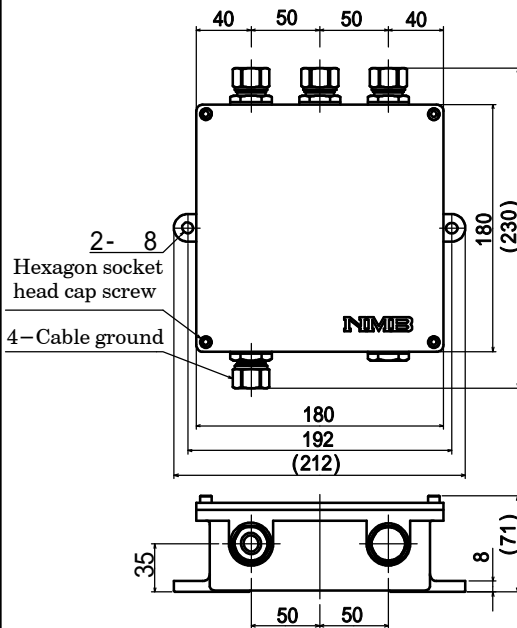
P/No.
SB-310-3-A-6
SB-310-3-A-10
SB-310-3-A-6-10

SB-310-3-A-

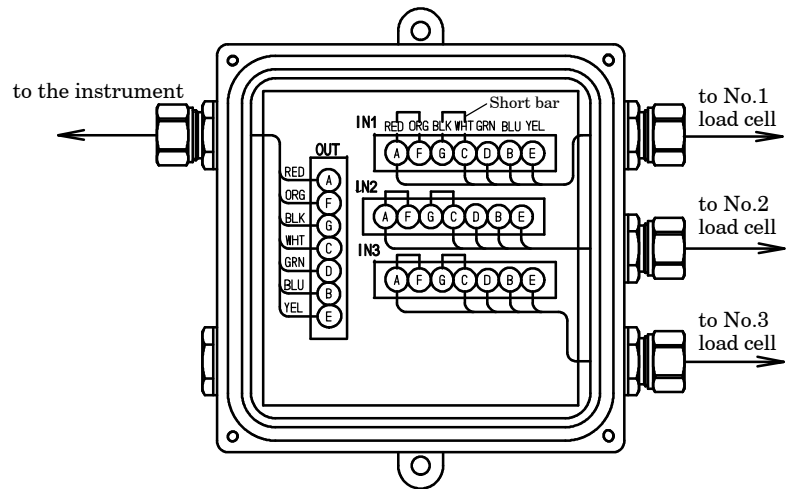
- Y-type
- Round type
- Applicable diameter 6 : 3 mm to 7 mm
10 : 7 mm to 11 mm
6-10 : Input-6, Output-10

4. Outline dimensions

(Dimensional tolerance : JIS B 0403)



Wiring diagram



Short bars are attached at terminal board (IN1 to IN3)

Unit : mm

Notes)

1) When the instrument is installed in outdoors, be sure to locate with the upper cover upward or in the vertical direction. And when vertical installation is required, set it in the status of drawing direction of ground for piping in parallel with the ground.

2) When deterioration of insulation is considered due to wide range of temperature change, fill the instrument with white vaseline after cable connection is completed.(Dryer will do.)

Specifications and outline dimensions and so on which have printed may subject to change for the purpose of improvement.